

Gemini

User Manual for the Compass Gemini PC30 System



For further information or service, call 1300 550 010

Contents

Manufacturers' Warranty	2
Introducing the Gemini Twin System	4
How it Works	5
Initial Pool Balance	6
Installation Guide	7
Gemini Control Unit Front Panel	11
Gemini Salt Unit Front Panel	13
Navigating the Gemini Control Menu System	14
Timer Menu	15
ORP (Chlorine Output) Menu	16
pH Menu	17
Advanced Settings (ADVANCED Menu)	19
Auxiliary Menu (AUX Menu)	21
Status Indicator, Warnings and Safety Shutdowns	23
Maintenance	26
Troubleshooting	28

IMPORTANT

If the power cord is damaged the unit must be returned to Pool Controls for repair.

Always read the instructions and warnings on chemical containers before using chemicals.

Serial Number.....

Date of Installation.....

Installed by.....



Manufacturer's Warranty

Pool Controls products come with guarantees that cannot be excluded under the Australian Consumer Law. You are entitled to a replacement or refund for a major failure and for compensation for any other loss or damage. You are also entitled to have the goods repaired or replaced if the goods fail to be of acceptable quality and the failure does not amount to a major failure. The benefits under this warranty are in addition to other rights and remedies under a law in relation to the goods.

Pool Controls warrants the following components of the Compass Gemini PC30 System to be free from defects in material and/or workmanship for a period of 3 years from the original date of purchase or installation:

- Gemini Control and Gemini Salt units, including power cables.
- Multi-electrode (probe) and probe cable
- Electrolytic cell and cell housing

Exclusion for Wearing Parts

This warranty does not extend to wearing parts, in particular the squeeze tubes fitted in peristaltic dosing pumps. Squeeze tubes should be replaced every **six months** by a suitably qualified technician. Pool Controls is not liable for any failure of its products or other damage caused by failure of a squeeze tube that has been used for more than six months.

WARRANTY OBLIGATIONS OF POOL CONTROLS

If a defect in workmanship or materials in any Pool Controls product covered by this warranty is discovered during the term of the warranty, and provided the warranty holder follows the procedure set out below, Pool Controls will, at its option, repair or replace that item.

PROCEDURE FOR CLAIMING UNDER THIS WARRANTY

In order to claim under this warranty, the warranty holder must:

- Contact Pool Controls Service as soon as possible after the discovery of the defect and in any event, within the relevant warranty period;
- Provide proof of purchase and confirm date of installation;
- Confirm that the installation was completed by a suitably qualified technician, as set out in the installation manual; and
- If required, arrange for the relevant Pool Controls' product to be returned to Pool Controls for repair, and the warranty holder is responsible for the cost and risk of any freight or transportation to and from Pool Controls.

CALL OUT FEES

- This is a “Back to Base” Warranty, which means that if the Pool Controls product needs to be serviced, replaced or repaired at a place other than Pool Controls’ premises, a call out fee will be charged to cover the cost of travel by an authorised Pool Controls technician. Please note that this call out fee will NOT be charged when the relevant Pool Controls product is returned to Pool Controls for repair.
- If the Pool Controls product needs to be returned for repairs under this warranty, the warranty holder is responsible for the cost and risk of any freight or transportation to and from Pool Controls.
- If an authorised Pool Controls technician repairs or replaces a Pool Controls Product and this warranty does NOT apply to that product, a fee for labour and parts supplied will be charged in addition to the call out fee.

WARRANTY EXCLUSIONS

- This warranty extends to the original owner only, beginning on the date of installation and is not enforceable by any other party without the prior written consent of Pool Controls.
- Pool Controls is not responsible for any cost of freight or transportation to or from its Service Department.
- Pool Controls is not liable under this warranty if the installation of the Pool Controls product was not carried out by a suitably qualified technician.
- To the extent permitted by law, Pool Controls is not liable for any incidental or consequential loss incurred in connection with the removal or replacement of the Pool Controls product under this warranty.
- To the extent permitted by law, Pool Controls disclaims all other warranties, either express or implied, including, but not limited to, implied warranties of merchantability and fitness for a particular purpose with regard to Pool Controls products, parts and/or any accompanying written materials.

REGISTER YOUR WARRANTY NOW

Go to www.poolcontrols.com.au, click on the warranty registration tab and fill in your details.

CONTACT POOL CONTROLS

Pool Controls is based at 20 Abrams Street, Balcatta, Western Australia. We also have service technicians based in NSW, Queensland and Victoria.

- Service Email: service@poolcontrols.com.au
- Service Phone: 1300 550 010

Introducing the Gemini Twin System

What's in the boxes?

The Gemini Control Unit

The Gemini Control Unit Box contains the following components:

- Mounting brackets; top and bottom
- Multi-electrode (probe)
- Gemini Control Power Supply and Mains Cable
- Tubing
- Peristaltic Pump
- User Manual
- Injection manifold
- Mounting hardware (wall plugs, screws and paper template)

Gemini Salt Unit

The Gemini Salt Unit Box contains the following components:

- Mounting brackets; top and bottom
- Gemini Salt Cell
- Gemini Salt Power Supply and Mains Cable
- Mounting hardware (wall plugs, screws and paper template)

IMPORTANT SAFETY MEASURES:

- Always add concentrated chemicals to water – not the other way around!
- Don't allow chemicals to mix – dangerous, highly corrosive fumes produced.
- Always wear protective clothing, footwear, gloves and eye protection when handling pool chemicals to avoid injury.
- If a spill occurs, wash the affected area with fresh water immediately and seek medical attention.
- Work in a well-ventilated area and avoid inhalation of fumes.
- Read and follow safety instructions on chemical drums.

How it works:

The Gemini Control Unit continuously analyses pool water chemistry while your pool system is running. When it senses that the pool requires more chlorine, it turns on the Gemini Salt Unit, which produces chlorine using its electrolytic cell. The Gemini System also monitors the pH of the pool water and uses the suction created by the main pool pump to feed accurate doses of acid into the pool via a peristaltic pump.

The Gemini Salt Unit is a salt chlorinator, which works by putting a dc current through an electrolytic cell in a flow of salt water. Salt is made up of sodium and chloride ions. Electrolysis of salt produces chlorine gas, which dissolves almost instantly to form free chlorine in the water. This free chlorine is a highly effective sanitiser for your pool.

The Gemini Salt Unit constantly adds a dose of chlorine to the water when it is operating. The amount of chlorine added depends upon the cell output and the running time, and is monitored and controlled by the Gemini Control Unit.

Oxidation Reduction Potential

The Gemini Control Unit measures how much chlorine is in pool water by measuring the ORP of the water. ORP stands for Oxidation Reduction Potential. Chemicals like chlorine destroy pathogens (eg harmful bacteria) in water by oxidising them.

The level of oxidation available in the water can be measured chemically with an ORP sensor contained in the Gemini's multielectrode (probe). This produces a voltage related to the ORP of the water, which is a measure of the effectiveness of chlorine in the water.

Varying the ORP will alter the chlorine residual in the pool. Many factors affect the ORP of a body of water. When using ORP for the control of a salt electroliser the ORP values can be different to those seen in a non-salt pool. Different pools are likely to exhibit different chlorine residuals for the same ORP.

pH Control

When chlorine is added to water the pH always changes – this is because chlorine is not a neutral chemical. The pH will slowly rise as chlorine is added to the water. A rise in pH greatly reduces the effectiveness of the chlorine as a sanitiser, so it is important to ensure that the pH remains in the correct range.

The pH of the water can be lowered by the addition of acid – and your Gemini System does this automatically. The Gemini Control's multielectrode (probe) measures the pH of the water and doses the pool with small amounts of acid to keep the pH in the correct range.

Initial pool balance

Before you begin using the Gemini Twin System make sure your pool water is balanced as follows:

Salt

There should be between 3000 and 5000ppm of salt in the pool ideally 4000ppm. This is achieved by adding 4kg of salt for every 1000 litres (1m³) of pool volume. Note that this amount of salt will take time to dissolve.

Note: keep salt below 7500ppm to avoid overloading the cell and causing shutdown.

Chlorine

If it is a new installation, add enough chlorine (liquid or granular) to achieve a reading of 3ppm on an appropriate test kit.

Note that the system needs to run for a few days before the ORP readings will settle. The initial set point will likely need to be adjusted to keep the chlorine residual in the right range. Significant changes in ORP will occur for variations in pH, stabiliser and TDS.

Stabiliser

If the pool is outdoors, it is vital that stabiliser (also known as cyanurate and cyanuric acid) be added and maintained at 40 to 60 ppm. This compound reduces chlorine destruction due to sunlight. However, too much stabiliser will reduce the effectiveness of chlorine and can result in poor quality water so ensure stabiliser does not exceed 80ppm.

pH

For chlorine to be effective, the pH must be within a certain range. The Gemini Control's factory setting is for a pH of 7.4. Adjust pH down with acid – usually liquid hydrochloric. Be very careful with acid as it can be harmful and corrosive.

Total Alkalinity (TA)

Total alkalinity is also known as carbonate hardness or TA for short. The recommended level is between 120 and 150ppm.

TA is related to pH in that it stops the pH from varying quickly with small additions of acidic or alkaline chemicals. When the TA is low it is almost impossible to control the pH. To raise the TA, buffer (sodium bicarbonate) is added. This must be done slowly as buffer will also cause the pH to rise. As an approximate rule every increase of 20ppm of TA will also cause a 0.1 rise in pH. Once buffer is added it should be left to mix in the pool for a few hours before reducing the pH.

Installation Guide

Choosing a good location

The Gemini Twin System is manufactured from weather resistant materials and is designed for operation in full sun and rain. However, your Gemini System will benefit if it is protected from the weather.

The Gemini Power Supplies should not be mounted in areas where chemicals are stored (eg acid and chlorine) as vapours from these chemicals are corrosive and may damage the electronic controls within the units.

Insect intrusion (particularly ants) can cause problems with all equipment. Ensure that the pool equipment area is kept free of insects as much as possible. Insect intrusion is not covered under the warranty.

Installing the Gemini Power Supply Units

Locate the two Power Supply Units close to the filtration pump so that it may be connected easily. Connect the Gemini Control Power Supply to the mains power outlet of the pool area and make sure this outlet meets all applicable Australian Standards at the time of installation.

Mount the Gemini Power Supply Units at least 1.5m above the ground and at least 3m from the pool water. A mounting template has been provided with each Unit that shows you where to place screws on either a wall or post.

The PUMP socket outlet in the base of the Gemini Control Power Supply is dedicated to the filtration pump only. Do not use a double adaptor to connect another pump as this will overload the system and void warranty.

Your Gemini Control Unit has two other power outlets on its base, which are used to run the Gemini Salt Unit and other pool equipment, such as pool or garden light transformers. Each power outlet is labelled. If you are installing a Vantage system, please refer to electrical diagram on page 8. Note that for dual pump Vantage systems, where the Gemini controller controls both pumps, a power separator, connected to a separate mains power outlet, will be required (as shown in the diagram on page 8).

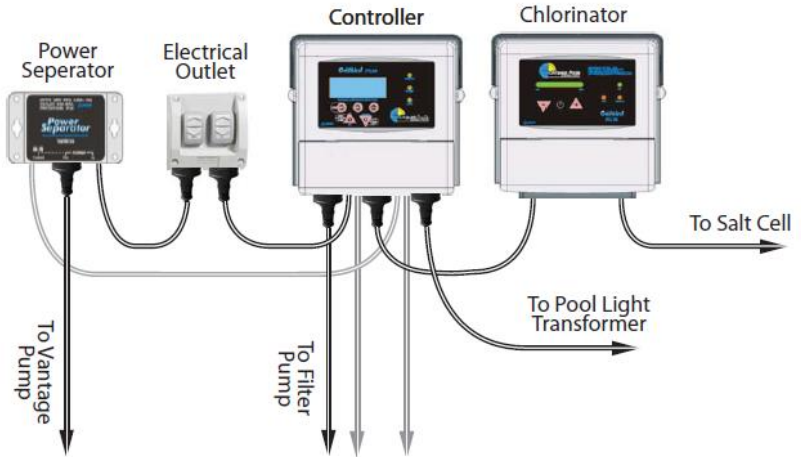
Installing the Injection Manifold

The injection manifold should be installed on the return (pressure) side of the pump, after accessories such as heater, but before the chlorinator cell. It can be plumbed in as an elbow or an in-line fitting. Ensure that the water flow is in the correct direction (as marked on the injection manifold.)

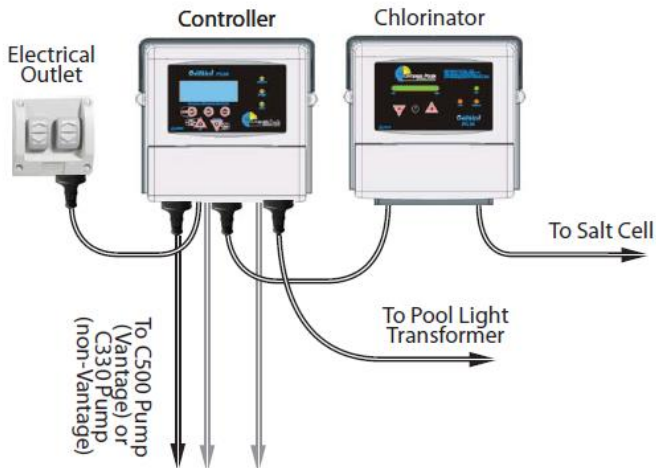
Installing the Probe into the Injection Manifold

The probe has a bayonet fitting. To install the probe, simply insert it into the injection manifold and twist to lock the bayonet fitting.

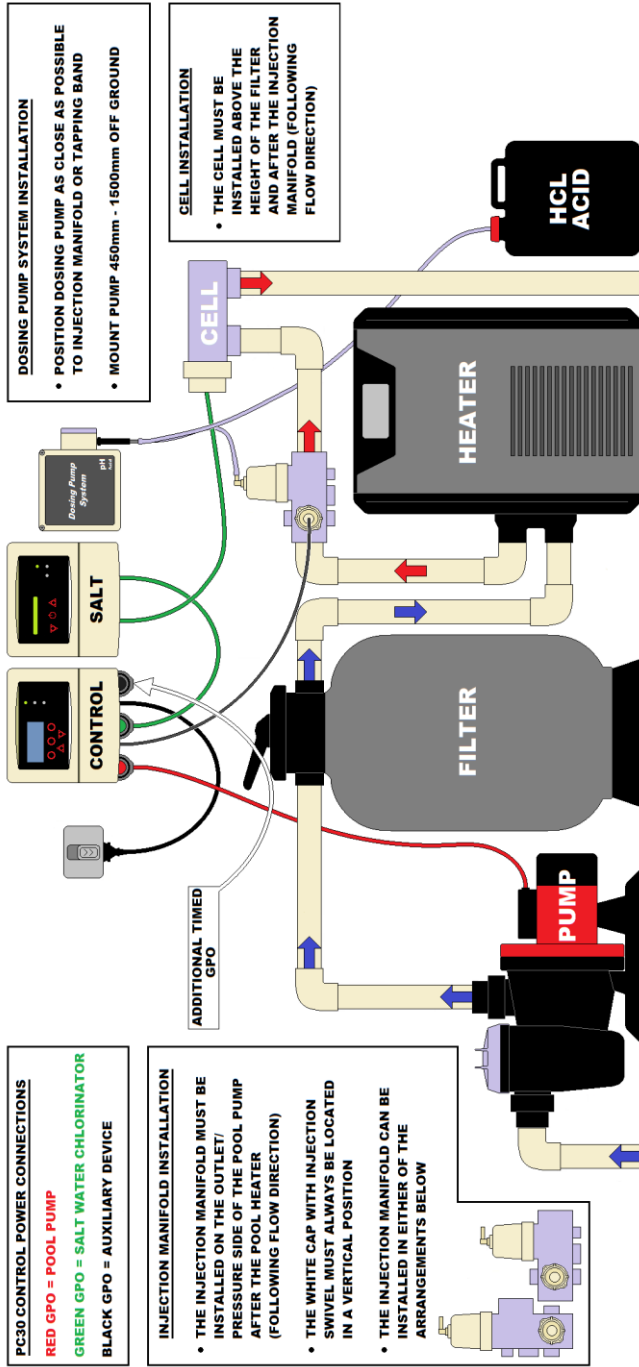
Dual-Pump Vantage Electrical Information



Single-Pump Vantage and Non-Vantage Electrical Information



COMPASS PC30 INSTALLATION DIAGRAM



Tubing

Use only the tubing supplied with your Gemini System. Use of other types of tubing may damage your Gemini System and void your warranty. Ensure tubing is clean and free from dirt or sand before fitting.

Installing the Peristaltic Pump (for Acid Feed)

Mount the peristaltic pump unit adjacent to the Gemini Control Unit, as it is hard-wired to this power supply.

Cut a length of tubing that will reach from the base of the peristaltic pump to the injection manifold. Connect one end of the tubing to the outlet side of the peristaltic pump (the direction of flow is indicated by an arrow on the front cover of the pump.) Connect the other end of the tube to the injection point on the injection manifold.

Cut another length of tubing that will reach from the base of the peristaltic pump to the base of the acid drum. Position the acid drum in a safe and secure location, preferably about 2 metres from the Gemini Control and Gemini Salt Units.

Connect the one end of this tube to the inlet side of the peristaltic pump. (the direction of flow is indicated by an arrow on the front cover of the peristaltic pump.)

Drill an 8mm hole in the lid of the acid drum and pass the tubing through the hole in the drum lid. Place a sinker on to the end of the tubing that will be in the acid drum and then attach the drum filter. Note that the drum filter incorporates a non-return valve to prevent back-flow into the chemical drum.

Before placing the tubing into the drum, measure the tubing against the outside of each drum and wrap several turns of PVC tape around the tubing above the drum lid so that the drum filter will be 10-15mm above the bottom of the drum. Lower the drum filter and sinker into the drum and screw on the lid.

The Gemini Control Unit Front Panel

Gemini Control Unit Display

The Gemini Control Unit uses a four line LCD display to provide the user with information.

LCD Display

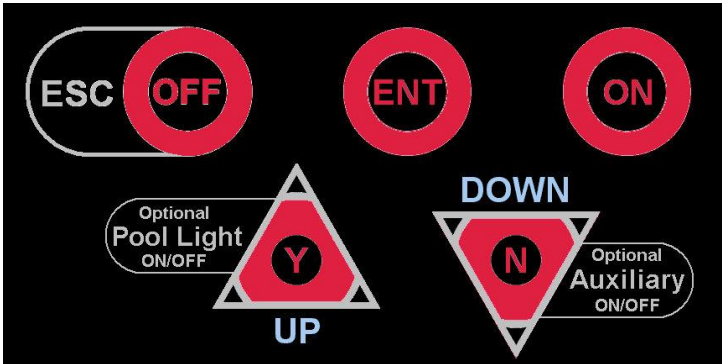
Line 1	15:27	NORMAL Auto
Line 2	AutoON → AutoOFF@ 21:00	
Line 3	ORP=670mV	SET=650mV
Line 4	pH= 7.5	SET= 7.6

READ OPERATION MANUAL FOR DETAILED INSTRUCTIONS

- Line 1 shows the current time and the mode of operation.
In the example above, line 1, tells you that the time is 3:27pm and the Gemini System is operating in "Normal Automatic mode"
Note that the Gemini System displays the time using a 24 hour clock.
- Line 2 shows timer information.
In the example above, line 2 tells you that the "unit is turned ON and will turn OFF automatically at 21:00 (9pm)"
- Line 3 displays ORP (Chlorine) information.
In the example above, line 3 tells you that the current ORP is 670mV with the unit set to provide 650mV
- Line 4 displays pH information.
In the example above, line 4 tells you that the current pH is 7.5 with the unit set to provide 7.6.

Gemini Control Unit Operational Buttons

Your Gemini Control Unit has 5 buttons that allow you to control the various functions available via the Gemini Menu system.



Each button is labelled with its primary function either on the button itself, or adjacent to it. Secondary functions are labelled within a curved white outline next to the relevant button. The buttons are backlit to show which are active at any given time, although the ESC/OFF button is always available to take you back to the home screen.

ON Button

Turn the System On Manually

Press the ON button once to switch the Gemini Control Unit and the pool pump on manually. The Gemini Control Unit will default back to AUTO and turn itself off automatically at the end of the next programmed FILTER CYCLE (and this time will be displayed on the LCD).

Increasing Manual Run-time in Hourly Increments

Press the ON button repeatedly (or hold the button down) to increase the manual run time in hourly increments. The run time is displayed on the LCD. When the desired run time has been reached, press the ENT button to confirm your selection and the system will commence operation.

ESC/OFF Button

Turn the System Off Manually

If the Gemini Control Unit and pool pump are running, pressing this button will turn them off manually. The Gemini Control Unit will automatically turn on again at the start of the next FILTER CYCLE (and this will be displayed on the LCD).

Return to Home Screen

If you have unintentionally accessed a Gemini Control Unit Menu that you don't actually require, pressing the ESC/OFF button allows you to return to the home screen at any time.

ENT Button

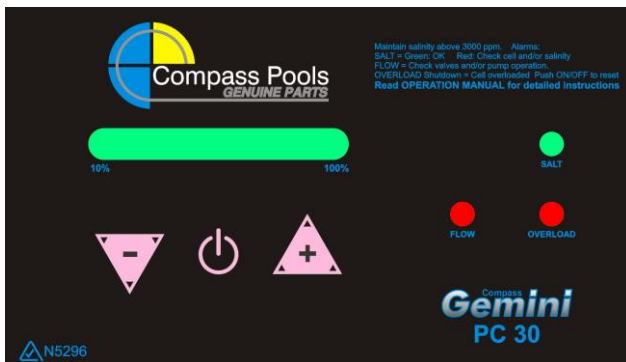
Use this button to enter the Gemini Control Unit Menu system and to access the various options in each Menu. Use the Y/UP and N/DOWN buttons to scroll through menu options and when your desired menu option is displayed on the LCD, press ENT to access that option.

Y/UP Button and N/DOWN Button

If you have accessed the Gemini Control Unit Menu by pressing the ENT button, press the Y/UP button or the N/DOWN to scroll through the various menu options. Some menu options will prompt a yes or no answer. If you wish to answer “yes”, press the Y/UP button, and if you wish to answer “no” press the N/DOWN button.

The pool light function is available & the aux function is available via the power separator (if fitted) – see pages 16 and 21 for details on these menus.

Gemini Salt Unit Front Panel



The Gemini Salt Unit uses a simple LED Bar Meter and Alarm LEDs to provide the user with information.

There are 3 buttons to make adjustments to the system: ON/OFF, +INCREASE & - DECREASE.

The LED bar meter usually shows the amount of chlorine being produced by the Cell as a percentage of its maximum.

Generally no adjustment of the cell output is required on the Gemini System, as output is regulated by the Gemini Control Unit. The output from the Gemini Salt Unit should be kept at 100%. However, if for any reason you do wish to adjust the output, simply press the INCREASE or DECREASE buttons. The LED bar will change to a point meter (in red) while any adjustment is being made to indicate output from 10% to 100%. The LED bar meter will return approximately 10 seconds after any adjustment is made.

Navigating the Gemini Control Unit Menu System

There are three aspects to the general Gemini Control Unit Menu system – the Timer Menu, the ORP (Chlorine) Menu and the pH Menu.

Access the Gemini Control Unit Menu system by pressing the ENT button and following the prompts on the LCD. If you find you have ended up in a part of the Menu system unintentionally, you can return to the Home Screen by pressing the ESC/OFF button at any time.

Use the Y/UP and N/DOWN buttons to scroll through the various menu options until the desired option is displayed on the LCD. Use the ENT button to confirm that you wish to select that option.

Once accessed, use the Y/UP and N/DOWN buttons to adjust operational settings up or down – and confirm adjustments by pressing ENT. To cancel any adjustments, simply press ESC/OFF to return to the Home Screen.

Advanced Settings Menu

If you are interested in learning more about additional functionality of your Gemini Twin System, please call Pool Controls Service on **1300 550 010** for further information.

The Advanced Settings Menu (ADVANCED Menu) is described in detail on pages 20 to 23 of this Manual..

Advanced Settings comprise:

- POOL – used to store information on pool volume and whether it is concrete or fibreglass
- SYSTEM DATA - shows service information
- FILTER CYCLES - allows for up to 4 Filter Cycles to be activated and is very useful for seasonal timer adjustments.
- AUX - controls timed operation of auxiliary power outlet, which can be used for accessories such as in-floor cleaning.
- FULL MANUAL ON or AUTO TIMER ON – used when the Gemini Control Unit is being run as a “slave” to another controller.

Timer Menu

Setting the time

Once you have installed your Gemini Control Unit and turned it on, you will need to set the correct time on the Gemini's 24 hour clock.

First, access the Menu System by pressing the ENT button.

The LCD will display the word TIMER MENU. Select this by pressing the ENT button once more.

Line 2 on the LCD will now read SET TIME HOURS. Press ENT to select this option and then use the Y/UP and N/DOWN buttons- to adjust the hours on the LCD. Confirm the correct hours value by pressing ENT again.

The LCD will now show SET TIME MINUTES. Adjust the minutes using the Y/UP and N/DOWN buttons. When complete, press ENT to return to normal operation.

ADJUST CYCLES Sub-Menu

Your Gemini Control Unit has two filter cycles pre-programmed as factory defaults as follows:

Filter Cycle 1:	ON at 7:00 (7am)	OFF at 11:00 (11am)
Filter Cycle 2:	ON at 18:00 (6pm)	OFF at 22:00 (10pm)

You can change the start and finish times of each filter cycle to meet your sanitiser requirements and to suit your lifestyle.

To adjust filter cycle start and finish times, press ENT to access the Gemini Control Unit Menu system. Press ENT again to select the TIMER menu and then scroll down using the N/DOWN button until ADJUST CYCLES is displayed on the LCD.

Select this option by pressing ENT and the LCD will show the start (ON) time of the filter cycle being adjusted. Use the Y/UP and N/DOWN buttons to adjust the start time. Press ENT to confirm your selection and then the LCD will show the end (OFF) time for that filter cycle. Adjust the OFF time in the same way as the ON time and press ENT to confirm.

After ON and OFF times for the first filter cycle have been adjusted, the ON time for the second filter cycle is shown on the LCD. This can be adjusted in the same way, or if you do not wish to make any changes, simply press ENT to confirm the time shown on the LCD. Follow the same process to either adjust or confirm the OFF time for the second filter cycle, and once this has been confirmed the LCD will display the home screen.

Note: an additional 2 filter cycles can be enabled and programmed via the Advanced Settings Menu. For details on how to access this menu, please call Pool Controls Service on 1300 550 010. If you are using the Gemini Twin System to control a Dual Vantage System via a power separator, please refer to page 22 for timer instructions.

Running Times

We recommend your system be operated for ***at least 4 hours per day and always run the system when using the pool.***

As sunlight destroys chlorine, it is recommended that the Gemini System run mostly in the evening.

Chlorine is added for sanitation but the filter is needed to remove pollutant particles (dust, sand etc) and keep the water looking good. The filter must operate for a reasonable number of hours per day to remove pollutants. If there are adverse local conditions – such as windborne dust and debris - the chlorine demand will be higher than normal and you will likely need to operate the system for longer periods to adequately filter the water.

Light Timer Menu

You can use your Gemini Control Unit to turn your pool or garden lighting on and off automatically, by setting the ON and OFF times using the light timer menu.

Press ENT to access the Gemini Control Menu system. Press ENT again to select the TIMER menu and then scroll down using the N/DOWN button until LIGHT MENU is displayed on the LCD.

Line 2 on the LCD will now read “AUTO? Y/N”. To enable automatic light operation press the Y/UP-button. Line2 will read “Auto ON” for short period before displaying “ON hh:mm”.

Adjust the ON time using the Y/UP and N/DOWN-buttons and confirm by pressing ENT. The LCD will now prompt you to set the OFF-time, which is accomplished using the Y/UP and N/DOWN-buttons as before. Press ENT-to confirm the new OFF-time and the LCD will return to the home screen.

To disable automatic light operation, access the LIGHT menu in the way described above and when asked “AUTO? Y/N” - press the N/DOWN button. Line 2 will read “Auto OFF” for short period then the system will return to normal operation and the light can only be operated manually (see below for how to do this).

If you would like more information in relation to using your Gemini System to control pool lighting and other accessories, please contact Pool Controls on 1300 550 010.

ORP (Chlorine Menu)

The Gemini Control Unit activates the Gemini Salt Unit to generate chlorine until the ORP set point is reached.

Accessing the ORP Menu

Access the Gemini Control Menu System by pressing ENT. Use the Y/UP or N/DOWN button to scroll through the main menu until ORP MENU is displayed on the LCD. Press ENT to select.

Adjusting the Set Point

The ORP Set Point is the value in millivolts that the Gemini Control will adjust your pool water to. You can adjust the ORP Set Point via the ORP Menu.

Enter the ORP Menu as described above, and when the LCD reads “ADJUST SET POINT Y/N?” Press Y/UP to select this option and then the LCD will display the current set point. Adjust this using the Y/UP or N/DOWN buttons. Confirm the adjusted set point by pressing ENT. The new set point will then be displayed on the right hand side of line 3 of the LCD.

Adjust ORP Control On or Off

To disable the ORP System (or re-enable it if it has been disabled) you need to access the ORP menu and scroll through the various options until the LCD reads “ADJUST ORP CONTROL TURN OFF? Y/N” (if the system is ON) or ADJUST ORP CONTROL TURN ON? Y/N” (if the system is OFF). If you press Y/UP, the system will turn on (or off depending on its current status). If you answer N/DOWN to either question, the LCD will return to the home screen.

pH Menu

Accessing the pH Menu

Access the Gemini Control Menu System by pressing ENT. Use the Y/UP or N/DOWN button to scroll through the main menu until pH MENU is displayed on the LCD. Press ENT to select.

Manual Feed

Having accessed the pH menu, the LCD will ask “Manual Feed Y/N?” Press Y/UP to select and the display will read “FEED 5 mins/75mL” You can increase the amount of the dose by pressing the Y/UP button until the desired dose amount is displayed. (Note: the dose volume displayed is an estimate only.). Press ENT and the peristaltic pump will commence feeding acid.

Adjusting the pH Set Point

The pH Set Point is the pH that the Gemini Control will adjust your pool water to. You can adjust the pH Set Point via the pH Menu.

Enter the pH Menu as described previously, and press the N/DOWN button when asked whether you wish to do a manual feed. The LCD will then read “ADJUST SET POINT Y/N?” Press Y/UP to select this option and then the LCD will display the current set point. Adjust this using the Y/UP or N/DOWN buttons. Confirm the adjusted set point by pressing ENT. The new set point will then be displayed on the right hand side of line 3 of the LCD.

Calibration and Re-setting to Factory Defaults

If your Gemini Control Unit consistently displays a pH reading different from that obtained by manual testing with a quality test kit, it may be necessary to re-calibrate the multi-electrode (probe). The instructions below assume the probe is measuring a pH of 7.8.

Caution: do NOT recalibrate the probe until identical pH readings have been obtained from at least three tests from around the pool. You will need to calibrate the probe to the pH value obtained from these test kit results.

Enter the pH Menu as describe above and press the N/DOWN button when asked whether you wish to a manual feed, and then again when asked if you wish to adjust the set point.

The LCD will then read “CALIBRATE PROBE?” Press Y/UP to select this option and the LCD will read “PROBE pH = 7.8 ADJUST TO +0.0”. Use the Y/UP button to increase the adjusted value to the required level. Press ENT to confirm the adjustment, and after a few seconds the Gemini Control will revert to normal operation and the home screen will display the new pH value.

Adjust pH System On or Off

To disable the pH System (or re-enable it if it has been disabled) you need to access the pH menu and work your way through the MANUAL FEED and ADJUST SET POINT questions – pressing the N/DOWN button in response to each question.

The LCD will then read “ADJUST pH CONTROL TURN OFF? Y/N” (if the system is ON) or “ADJUST pH CONTROL TURN ON? Y/N” (if the system is OFF). If you press Y/UP, the system will turn on (or off depending on its current status). If you answer N/DOWN to either question, the LCD will return to the home screen.

Note: Turning off the supply of acid is not normally necessary and could lead to unbalanced pool water that is unsafe to swim in. Pool Controls recommends that you seek advice from a qualified professional prior to disabling the pH system – or call Pool Controls Service on 1300 550 010.

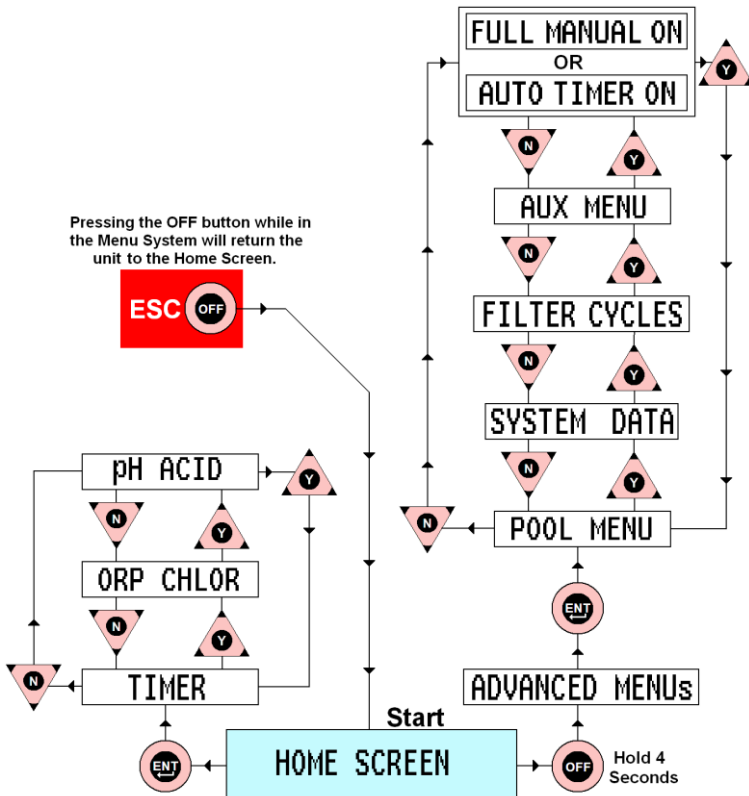
Advanced Settings (ADVANCED) Menu

To enter the ADVANCED Menu, press and hold the OFF button for approximately 4 seconds. The LCD will display the words “ADVANCED MENUS” – press ENT to proceed.

Advanced Settings comprise:

- POOL – used to store information on pool volume and whether it is concrete or fibreglass
- SYSTEM DATA - shows service information
- FILTER CYCLES - allows for up to 4 Filter Cycles to be activated and is very useful for seasonal timer adjustments.
- AUX - controls timed operation of auxiliary power outlet
- FULL MANUAL ON or AUTO TIMER ON – use when the Gemini Control Unit® is being run as a “slave” to another controller.

The entire Gemini Control Menu system is illustrated schematically below. Please note that the depictions of the LCD screens in the diagrams that follow are illustrative only. The LCD on your Gemini will have a different appearance.



Pool Information (POOL) Menu

From the ADVANCED MENU, use the Y/UP button to scroll up to the POOL Sub-MENU and select by pressing ENT.

The LCD will then ask “ADJUST POOL DATA?” – press Y/UP if you wish to do so. The LCD will then display “POOL? Y/N”. Press Y/UP if you have a pool and N/DOWN if you have a spa, and then press ENT to confirm.

The LCD will then ask “ADJUST VOLUME?” Use the Y/UP or N/DOWN buttons to adjust the value up or down from the factory default value for the volume of your pool or spa. Confirm by pressing ENT.

The LCD will then ask “CONCRETE OR F/GLASS?” – press Y/UP to toggle between “CONCRETE” and “F/GLASS” and press ENT to select the appropriate option.

Finally, the LCD will ask “RESET FEED DEFAULT?”. This will only be necessary if you have switched from a POOL to a SPA setting or vice versa. If you wish to reset the default feed amounts, press Y/UP or if this is unnecessary, press N/DOWN and the LCD will then revert to the home screen.

System Data (SYSTEM DATA) Menu

This part of the Gemini software stores information such as hours of operation and should only be accessed by authorised service technicians.

Filter Cycles (FILTER CYCLES) Menu

From the ADVANCED SETTINGS MENU, use the Y/UP button to scroll up to the FILTER CYCLES Sub-MENU and select by pressing ENT.

The Factory Settings have two of a possible four Filter Cycles enabled.

The LCD will display the number of enabled Filter Cycles in the lower right hand corner. (denoted by “n” in the diagram below). This number can be adjusted using the Y/UP or N/DOWN buttons, followed by the ENT button to save changes.

Remember that if you wish to return to the Home Screen at any time, simply press the ESC/OFF button.

Auxiliary Outlet (AUX) Menu - (Power Separator)

There is an auxiliary Extra Low Voltage (ELV) outlet available under the front cover for a Power Separator. The AUX menu can be used to program a Power Separator, which is used to activate an auxiliary pump for Vantage in-floor cleaning systems. (See page 8 for installation diagram.)

Access the AUX Menu from the ADVANCED Menu. Pressing the Y/UP button to scroll through other menu options until AUX appears on the LCD and then press ENT to select. The LCD will ask if you wish to operate the Auxiliary device manually. Press Y/UP if you wish to do so.

If no "ON TIME" has been set, the LCD will then ask you to set an "ON TIME" for your auxiliary device. This is the length of time that the auxiliary system will run for and there are four settings – OFF, 30, 60, 90 and 120 minutes.

The AUX system is designed to run the Power Separator in conjunction with main pump timing. The timing of the AUX system is tied to that of the Filter Cycles (both 1 & 2). Each of the Filter Cycles must be set to run for the same period as the Power Separator device (or longer).

If the main pump is off when you select this option, the Gemini will first turn the main pump on and after approximately two minutes will activate the auxiliary device. This start delay allows the whole system to prime.

Manual Operation

The Power Separator can be controlled from the Home Screen by pressing N/DOWN.

If the Power Separator is ON, then this will turn it OFF.

If it is OFF, the AUX MENU is activated and the LCD will read "Man ON? Y/N" – press Y/UP to turn it ON and select running time. This will also turn on the main pump if it is not already on.

Switching from Auto Mode to Full Manual (MAN/AUTO) Menu

Full Manual Mode (FMM)

FMM is used when an external timer is controlling the Gemini System. If FMM is selected, the pump system is either turned ON or OFF whenever power is supplied to the Gemini Control Unit. The Gemini's timer is effectively disabled.

The LCD will indicate that the Gemini Control Unit is in manual mode with either the message "Man ON" or "Man OFF".

AutoMode

When running in Auto Mode, the Gemini has up to 4 adjustable Filter Cycles. Factory default settings have Filter Cycle 1 and Filter Cycle 2 enabled.

Filter Cycle 1 is always enabled. The other 3 Filter Cycles can be enabled or disabled (in order) allowing you to increase or decrease running times quickly without adjusting the Filter Cycle ON/OFF times – simply add or remove cycles.

When you first turn on the Gemini in AutoMode, the pump will be off even if the time is in the middle of a programmed Filter Cycle. The Gemini will wait for the next available ON-time to start the pump and the rest of the system.

If there is an extended power failure, the Gemini will continue to keep time for a number of days. During this time the pump ON/OFF-times will still be checked. When power is restored, the system will wake up and turn the pump ON if it is during a Filter Cycle.

Automatic Operation

In AutoMode, Line2 of the LCD will display whether the Pump is ON or OFF and the next OFF or ON time.

Manual Operation while In AutoMode

You can override the AutoMode settings manually by pressing either the ON button (to turn ON if the system is off automatically) or OFF to stop the pump if it is on automatically. The Gemini is still in AutoMode and will respond to the next AutoOFF/ON time.

Gemini Control Unit

Status Indicators, Warnings and Safety Features

Normal Operation – Green Status Indicators

When the Gemini Control Unit is operating normally and ORP and pH readings are within the correct range, a green status indicator will be illuminated and the LCD will indicate the readings.

Note: it is the pool owner's responsibility to monitor the pool and periodically confirm the Gemini Control's readings with a good quality test kit. Remember that the Gemini Control is only able to balance pH and Chlorine levels – but you need to ensure other factors such as stabiliser levels and total alkalinity are within the correct range (see page 6 for details)

Low Chlorine

If the ORP falls significantly below the set point, this indicates that the chlorine levels in the pool have fallen and dangerous pathogens in the water are not being destroyed rapidly.

The Gemini Control will warn of low chlorine with a red status indicator and the words LOW CHLORINE will be displayed on the LCD.

Possible causes include:

- Low levels of stabiliser
- High pH
- Insufficient operating hours
- Filter requires backwashing
- The multi-electrode (probe) may require cleaning (see Maintenance)
- Injector nozzle is blocked

If each of these factors are addressed, the Gemini Control Unit will turn on the Gemini Salt Unit to produce chlorine until the set level is achieved – at which point the status indicator will revert to green and the warning will no longer be shown on the LCD.

High Chlorine

If the ORP rises significantly above the set point, a red status indicator will be illuminated and the words HIGH CHLORINE will be displayed on the LCD.

Possible causes include:

- Manual overdosing (superchlorination)
- The multi-electrode (probe) may require cleaning (see Maintenance)
- Low pH (too much pool acid)
- High Total Dissolved Solids (TDS)

There is no simple way to reduce high chlorine levels quickly. However, chlorine levels will eventually reduce over days (or weeks), particularly if the pool is exposed to sunlight.

Low pH – (Excess Acid)

If the pH of the water drops below the set point, a red status indicator will be illuminated and the words “LOW pH” will be displayed on the LCD.

The Gemini Control Unit will automatically prevent any further acid being added to the pool until the pH is brought back into the correct range by the addition of sodium carbonate or sodium bicarbonate.

Possible causes include:

- Manual overdosing
- Excessive rainfall
- The multi-electrode (probe) may require cleaning (see Maintenance)
- Low Total Alkalinity (need to add buffer)
- Poor pool water circulation

Safety Shutdown

If the pH falls below 5.8 the Gemini Control Unit will shut down pump operation to ensure no more acid gets into the pool.

High pH – (Insufficient Acid)

If the pH rises significantly higher than the set point, a red status indicator will be illuminated and the words HIGH pH will be displayed on the LCD.

Note that a high pH can drastically reduce the ORP of the pool water, and therefore reduce the effectiveness of the sanitiser. It is important to restore the pH balance as soon as possible by adding acid to the pool.

Possible causes include:

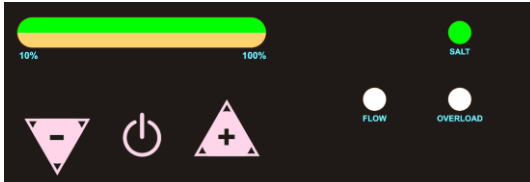
- The acid drum is empty
- The pool has been superchlorinated recently
- Faulty peristaltic pump
- Filter requires backwashing
- Multi-electrode (probe) may require cleaning (see page 23 for details)
- Injector nozzle is blocked

If each of these factors are addressed, the Gemini Control Unit will dose the pool with acid until the set level is achieved – at which point the status indicator will revert to green and the warning will no longer be shown on the LCD

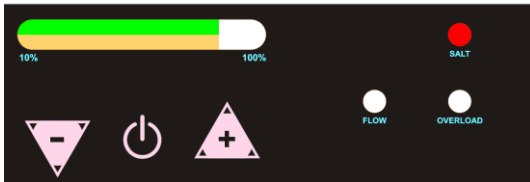
Gemini Salt Unit

Status Indicators, Warnings and Safety Features

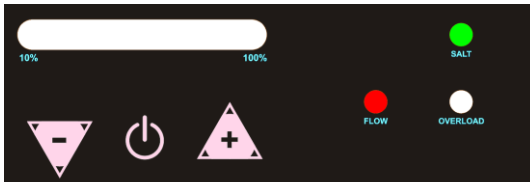
Illustrated below are the possible status indicators, warnings and safety features that may be observed on the Gemini Salt Unit in various circumstances.



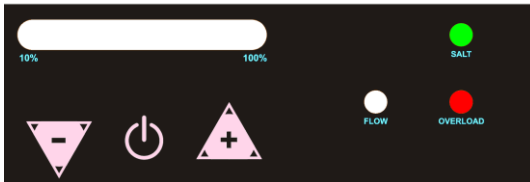
Normal Operation
Cell at full current and salinity above minimum. Note that the Cell current can be green or orange depending on polarity.



Low Salinity
Salt alarm is red and Cell current is less than maximum. Add salt and/or check Cell.



Flow Fault detected.
Cell has been turned off.
Turn off, then on again to clear and restart.



Overload detected, Cell has been turned off.
Turn off, then on again to clear and restart.

Maintenance

Like all equipment the Gemini Control Unit will look better and last longer if it is maintained and operated in accordance with these instructions.

The Gemini System Power Supplies

The Gemini Power Supply has been design for operation in full sun and weather. However, it will benefit from being under cover.

There is little maintenance required, however – some Do's and Don'ts –

Don't:

- Install it in a small sealed enclosure (so it does not overheat)
- Install it in a very hot unventilated shed (so it does not overheat)
- Allow insects to nest in the unit (because they will prevent it from functioning)
- Install chemical drum under or close to the unit (to prevent corrosion)
- Forget about the unit once installed – it should be checked regularly to ensure that it is working for you

Do:

- Install it as per the instructions
- Check it regularly
- Make sure the pool balance is checked regularly

Operation Following a Power Failure

The Gemini Control Unit comes with a timer function built into the operating software. The timer is a 24-hour type with quartz-crystal control. This Timer is backed-up by a Real-Time Clock (RTC) similar to those found in computers.

During a power failure the Gemini Control Unit will keep time and maintain AutoMode functions.

If a Filter Cycle is active when power is returned the pump will be turned ON within 1 minute. The Gemini Control Unit will keep all its settings and will not need to be re-programmed.

The Gemini Control Unit is ideal for use in systems where repeated power cuts occur, such as off-peak power circuits and Queensland's Tarriff33 system.

Cleaning the Multi-electrode (Probe)

If the Gemini Control is consistently giving readings different from those obtained from a test kit, it may be necessary to clean the multi-electrode.

To do this:

- Remove the probe from the injection point by twisting the bayonet (or unscrewing the retaining nut) and remove the o-ring.
- Holding the cable, gently swirl the probe in a dilute solution of hydrochloric acid (pool acid) for two minutes
- Rinse the probe in clean water and then replace it in the injection point, making sure that the “o-ring” is in place.
- Twist bayonet to lock (or tighten nut with fingers)

Cell Cleaning

The Gemini Cell is self-cleaning, however, some conditions such as very hard water can cause the cell to become scaled over time.

The Gemini Cell uses an electronic means (polarity reversal) to remove scale from its cathodes. This system works very well in most pools unless there is extreme hardness and/or mineral levels. Even in the extreme cases where scaling does occur the rate at which it occurs is far slower than for normal Cells.

If scale has become thick enough to nearly bridge between the Cell electrodes, it is time to clean the Cell. Cells can be cleaned in a solution of hydrochloric acid.

Please read the warnings and instructions on the acid container.

To make the acid solution, add 1 part hydrochloric acid to 4 parts water in a suitable container. This solution can be used a number of times so a re-useable container with a lid can be used, but make sure it is stored safely.

Alternatively a commercial Cell Cleaning solution can be used according to the manufacturer's instructions.

The Gemini Control unit and the Gemini Salt Unit should both be turned off so that any AutoMode functions cannot turn it back on until after the Cell is clean and back in its housing.

Remove the Cell from its housing and immerse in the acid solution. Note that it may foam up and overflow the sides of the container – so take care!

The Cell should not take longer than a few minutes to clean. It may also be possible to remove some or most of the scale with a jet of water.

Never use a stiff brush or hard implement to clean the cell because this will damage the coating.

Trouble-shooting

Before requesting service, you may wish to run through the check list below but feel free to call Pool Controls Service on 1300 550 010 or log a service call via our website – www.poolcontrols.com.au.

If there appears to be low or no Chlorine Residual:

1. Check stabiliser level is 50ppm. Add if necessary and wait for it to dissolve.
2. Have you added any chemical additives recently?
3. Check pool for phosphates and remove if necessary
4. Is the System turned on and operating the filter pump?
5. If the unit is not running at all, check the fuse in the bottom of the unit.
6. Are the operating hours sufficient?
7. Is the Gemini Salt Output set to 100%?
8. Is there enough salt in the water? (4000ppm)
9. Is the temperature of the water low?
10. Is the Cell scaled heavily?

If either unit is not running at all **check the fuse** in the bottom of the units.