



**DM-52**

**DOMESTIC  
CHEMICAL  
CONTROLLER**

**INSTALLATION AND OPERATING  
MANUAL  
(Solenoid Valves Version)**

**Pool Controls New South Wales: mobile: 0437 078 11**  
**Pool Controls Queensland BRISBANE (north) mobile :0411 078 124**  
**Pool Controls Queensland BRISBANE (south) mobile: 0411 078 126**  
**Pool Controls Victoria :0411 078 127**

FOR MORE INFORMATION ON OUR DISTRIBUTORS VISIT OUR  
WEB SITE ON [www.pool-controls.com.au](http://www.pool-controls.com.au).  
OR EMAIL US AT [sales@pool-controls.com.au](mailto:sales@pool-controls.com.au)

Pioneer Pools: SOUTH ISLAND N.Z. 03 348 4592 Fax 03 348 4593  
W.A. Coleman Ltd WELLINGTON N.Z..06 376 8099  
P .Coleman .AUCKLAND .N.Z. 64 737 78486  
Swimline Products : N.S.W. (02)9971 2306 fax:(02)9971 7592  
Flowcontrol Pty Ltd: S.A. (08)8346 9100 fax: (08) 8358 6015

**DO NOT DISCARD THIS MANUAL  
WHEN THE INSTALLATION IS COMPLETE  
AS IT PROVIDES IMPORTANT INFORMATION  
FOR OPERATING THE UNIT.**

Problem Solving Continued...	
High Chlorine Alarm .....	34
High pH Alarm (Insufficient Acid) .....	35
Low Chlorine Alarm .....	34
Low pH Alarm (Excess Acid) .....	35
Pool Acid (pH):	
Dilutions .....	32
Manual Dosing .....	23&26
Re-Calibrating .....	26
Turn On and Off .....	25
Multi-Electrode (Probe):	
Cleaning .....	35
Description .....	6
Emptying Swimming Pool and Freezing Conditions .....	25
Installation .....	10
Installation Diagram .....	14
Pump Timer:	
Automatic Settings .....	28
Description .....	20&27
Disabling Timer .....	27
Factory Set Times .....	28
Manual Starting .....	27
Setting Timer .....	27
Turning Off .....	27
Regular Checks on the Quality of Pool Water .....	4,19&20
Safety Instruction .....	3&19
Sinker Sets	
Description .....	6
Installation .....	7&11
Installation Diagram .....	13
Solenoid Valves:	
Installation .....	11
Installation Diagram .....	13
Regular Checks .....	20
Tubing Installation .....	11
Tapping Band:	
Air Leaks .....	9
Description .....	6
Drilling Holes .....	10&14
Emptying Swimming Pool and Freezing Conditions .....	25
Inner Shell .....	10&14
Installation .....	10
Installation Diagrams .....	13&14
Location .....	10
Trapped Air Bubbles & Dirt .....	10
Test Kit .....	8&19
Tools Required .....	8
Venturi System .....	12&16
Voltage .....	4
Wall Anchors and Screws .....	7
Warranty .....	37
Warnings .....	3
Water Circulation .....	5 & 28

## CONTENTS

	PAGE
Important Safety Instructions .....	3
Message to the New Owner .....	4
<b>PREPARATION</b>	
Items Supplied .....	6
Tools Required .....	8
Other Items Required .....	8
<b>INSTALLATION</b>	
Location .....	9
Power Connection .....	9
Chemigem Installation .....	9
Tapping Band Installation .....	9
Multi-Electrode (probe) Installation .....	10
Solenoid Valve Installation .....	11
Solenoid Valve Tubing Installation .....	11
Chemical Drums Installation .....	11
Fitting Chemigem to a Heated Pool .....	12
Fitting Chemigem Below Pool Water Surface Level .....	12
Venturi Systems .....	12
Neatening Up .....	12
Installation Diagram .....	13
Tapping Band and Multi Electrode (Probe) Diagrams .....	14
Diagram for Fitting Chemigem Below Surface Level .....	15
Diagram for Fitting Chemigem to a Heated Pool .....	16
<b>OPERATION</b>	
Introduction .....	17
Reading the Display Panel .....	17
Before Starting the Chemigem .....	19
Starting the Chemigem .....	20
The First Two Weeks .....	20
Regular Checks on the Quality of Pool Water .....	21
Regular Checks of the Solenoid Valve Tubing .....	21
<b>KEYPADS</b>	
No. 1: " Pump" .....	22
No. 2: "Escape and Mute Alarm" .....	22

No. 3: "Help" .....	22
No. 4: "Enter" .....	23
No. 5: "Chlorine Manual Feed" .....	23
No. 6: "Pool Acid Manual Feed" .....	23
No. 7&8: "Automatically Increase & Decrease Pool Acid Set Levels" .....	24
No. 9&0: "Automatically Increase & Decrease Chlorine Set Levels" .....	24
Emptying Swimming Pool and Freezing Conditions .....	25
Turning On and Off the Chlorine and Pool Acid .....	25
Manual Dosing Override .....	26
Re-calibrating pH .....	26
Re-calibrating Chlorine .....	26

## POOL PUMP TIMER

Setting the Inbuilt Pool Pump Timer .....	27
To Turn Off The Inbuilt Pool Pump Timer .....	27
If The Inbuilt Pool Pump Timer is Disabled .....	27
Manual Starting of the Inbuilt Pool Pump Timer .....	27
Setting Automatic Pool Pump Times .....	28
To Set the Clock .....	28

## ALARMS

Indicator Light and Sound .....	29
The Normal Range .....	29
Outside the Normal Range .....	29
The Audible Alarm .....	30
Alarm Light and Sound - Steps to Take .....	30

## CHEMICALS

Chemical Feeding .....	31
Adjustments to Chemical Levels .....	31
Important Points to Note .....	32
Pool Chemical Dilutions .....	32

## PROBLEM SOLVING

Low Chlorine Alarm .....	34
High Chlorine Alarm .....	34
Low pH Alarm (excess Acid) .....	35
High pH Alarm (insufficient Acid) .....	35
Cleaning the Multi-Electrode (probe) .....	35
Problem Solving Flow Chart .....	36
Warranty .....	37
Index .....	38

Chemicals continued...	
Set Levels .....	17,18,20&24
The First Two Weeks .....	20
Turning Off and On Chlorine and Pool Acid (pH) .....	25
Chlorine:	
Dilutions .....	32&33
Manual Dosing .....	23&26
ORP .....	17
Re-calibrating .....	26
Turn On and Off .....	25
Clock .....	28
Contact Pool Controls .....	5
Concrete Pools .....	20
Diagrams:	
Display Panel .....	17
Fitting Chemigem Below Pool Water Surface Level .....	12&15
Fitting Chemigem to a Heated Pool .....	16
Installation of Chemigem .....	13
Installation of Tapping Band & Multi-Electrode (Probe) .....	14
Problem Solving Flow Chart .....	36
Display Panel:	
Alternative Display .....	18
Diagram .....	17
Operations .....	18
Reading Panel .....	17&18
Electrician .....	9
Emptying Swimming Pool .....	25
Filters:	
Description .....	7
Installation .....	11
Installation Diagram .....	13
Freezing Conditions .....	25
Heating Systems .....	12&16
Isolating Valve .....	12
Keypads:	
No. 1 - Pump .....	22
No. 2 - Escape and Alarm Mute .....	22
No. 3 - Help .....	22
No. 4 - Enter .....	23
No. 5 - Chlorine Manual Feed .....	23
No. 6 - Pool Acid Manual Feed .....	23
No. 7&8 - Automatically Increase and Decrease Pool Acid Set Levels .....	24
No. 9&0 - Automatically Increase and Decrease Chlorine Set Levels .....	24
Mains Power .....	4
Message to New Owner .....	4
Non-Return Valve .....	12
Protective Cap .....	10,14 &25
Neatening Up .....	12
ORP .....	17
Password .....	18
Problem Solving:	
Flow Chart .....	36

## INDEX

Air Leaks .....	9
Alarms:	
Audible Alarm .....	30
Indicator Light and Sound .....	29
Light & Sound – Steps To Take .....	30
Lower or Turn Off Alarm Sound .....	30
Normal Range .....	29
Outside Normal Range .....	29
Balancing Pool Water .....	19&31
Chemigem:	
Backflow .....	12
Before Starting the Chemigem .....	19
Description .....	6
Feeding .....	19,20&31
Fitting Below Pool Water Surface Level.....	12
Fitting Below Pool Water Surface Level –Diagram .....	15
Installation .....	9
Installation Diagram .....	13
Location .....	9
Metal Cover .....	8&9
Non Return Valves.....	12
Operation .....	4&17
Power Connection .....	9
Settings .....	17,18,20&24
Suction .....	4,9&12
Starting the Chemigem .....	20
The First Two Weeks .....	20
Chemical Drums:	
Drums .....	11
Installation .....	11
Installation Diagram .....	13
Chemicals:	
Adjustment to Chemical Levels .....	31
Concrete Pools .....	20
Dilutions .....	32&33
Dosing .....	20
Excess Chemicals .....	20,32&35
Feeding .....	19,20&31
Important Points To Note .....	32
Installation .....	11
Installation Diagram .....	13
Introduction to Operation .....	17
Manual Dosing Override .....	26
ORP .....	17
Ranges for Chemicals .....	19&31
Re-calibrating pH .....	26
Re-calibrating Chlorine .....	26
Regular Checks .....	21

## IMPORTANT SAFETY INSTRUCTIONS

**CAREFULLY READ THE ENTIRE CONTENTS OF THIS MANUAL**

**CAREFULLY READ THE FOLLOWING POINTS BEFORE INSTALLING THE CHEMIGEM**

**WARNING** It is important that the Chemigem is installed and operated in accordance with the instructions provided in this manual.

**WARNING** There is the risk of electric shock. Ensure all connections from the Chemigem to the electricity supply are made in accordance with local safety codes.

**WARNING** Do not bury any electricity supply cords unless strictly following local safety codes. Locate all cords, wires and tubes away from places where they may become damaged by garden equipment.

**WARNING** The Chemigem contains microprocessors that may be disturbed by the operation of electrical devices within a 5 metre radius.

**WARNING** The Chemigem must be connected so that it only operates when the pool pump is running, otherwise incorrect pool water readings will occur and concentrated chemicals may flow into the pool water pipes and/or the chemical drums, where they can mix and produce poisonous Chlorine gas.

**WARNING** Before operating the Chemigem, bring the pool water chemical levels to within the ranges given in this manual, but pay attention to the specific requirements of the pool builder.

**WARNING** To ensure the desired chemical levels are being maintained, check the pool water with a good quality test kit. This should be performed daily for the first two weeks and on a regular basis thereafter.

**WARNING** Always take water samples from a point near the skimmer box, for this is where the water is completely mixed, giving the most accurate readings. Never take water samples near the pool returns (“eye-balls”) where the Chemigem may have freshly dosed the pool water.

**WARNING** It is very important that the reagents in the test kit are well within their use-by date, otherwise false readings may result. If in doubt, take a water sample to a pool shop for testing.

**WARNING** Chemicals must be carefully diluted according to the size of the pool or spa. Always add the concentrated chemical to the water and never add the water to the concentrated chemical. Some chemicals react violently with water and can splash into face and eyes. Always wear protective face-shield and gloves for such operations. Fully observe all the chemical manufacturer’s safety instructions when handling pool chemicals.

**WARNING** Ensure the chemical supplies (liquid Chlorine and pool Acid) are kept in visually different containers to avoid wrong connection. Use colour or size differences or both. When these two concentrated chemicals are mixed together out of the pool water, poisonous gas is produced.

**WARNING** If it is decided to turn off the Chemigem audible alarm for any reason, the unit will no longer have that warning capability and the pool owners will have to rely on their own ability to monitor the indicator lights on the face of the unit to verify that the Chlorine and pH levels are within acceptable limits.

**SAVE THESE SAFETY INSTRUCTIONS**

# MESSAGE TO THE NEW OWNER

## Congratulations on your purchase of a Chemigem DM52

### Ensure that the Unit Matches the Mains Power

#### The Chemigem requires a mains supply of 220/250 volts AC

Although the unit has an in-built surge protector, it is recommended that a voltage surge protection device be fitted to the electricity supply.

### Prior to Installation and Operation

**It is important that a full water test is carried out with a good quality test kit and that the pool water is correctly balanced prior to the installation and operation of the Chemigem.**

The pool builder often includes the first amounts of chemicals. These are estimated and sometimes require adjustment.

### Chemigem Installation and Operation

The unit is one of the most advanced pool chemistry controllers of its kind.

It is important that it is installed and operated in accordance with the instructions provided in this manual.

The Chemigem is designed to automatically assist in keeping the levels of Chlorine and pH correctly balanced in swimming pools and spas.

It continuously monitors and adjusts pH and Chlorine levels required through state of the art solenoid valves, utilising the natural suction of the pool recirculating pump while the pool pump is running adds Chlorine and pool Acid as and when required.

Stable controlling of the Chlorine and pH levels of the pool water should be achieved during the first two weeks of operation. During this period, check the level of Chlorine, Total Alkalinity and pH regularly with a good quality test kit to confirm that the unit is keeping to the desired levels (Refer to pages 19&31).

The chemical levels are set by the keypads. Once the correct positions have been set for the pool water they should remain constant and do not have to be changed from season to season (however in winter the pool pump running times can be reduced)

If the pool owner requires the levels to be altered, refer to page 24)

### Electronic Clock

The in-built electronic clock requires setting to your local time. To set the clock, (Refer to page 28).

### Pool Pump Times

The factory-set pool pump times are on page 28. To change pumping times or to turn the timer off, (Refer to pages 27&28).

# DOMESTIC WARRANTY

## REPLACEMENTS

### COMPONENTS OTHER THAN THE MULTI-ELECTRODE (PROBE)

Pool Controls undertakes to rectify, free of charge, any defects caused solely by faulty workmanship or materials occurring in the Chemigem control unit for a period of 12 months

### MULTI-ELECTRODE (PROBE)

The multi-electrode (probe) has a 12 months full cover warranty, followed by a 48 months pro-rata warranty.

## SERVICING IN THE WARRANTY PERIOD

In the event of any apparent malfunction during the Warranty period, the purchaser of the Chemigem should first read the Installation and Operating Manual. If this does not solve the problem, Pool Controls should be contacted.

### FEES

During the warranty period, when an authorised technician is requested to service the unit at a location other than the company premises, a call out fee will be charged to cover travelling to and from the site and the cost of operating the vehicle. The fee will not apply if the unit is returned to the manufacturer or distributor in your state for repairs. If an authorised technician is required to service the unit and it is found that such services are not covered by warranty, a charge for parts and labour will apply.

Where the unit is installed outside the normal service area, the purchaser shall be responsible for all costs and risk involved in returning the unit to the manufacturer for repairs and reinstallation.

## WARRANTY EXCLUSIONS

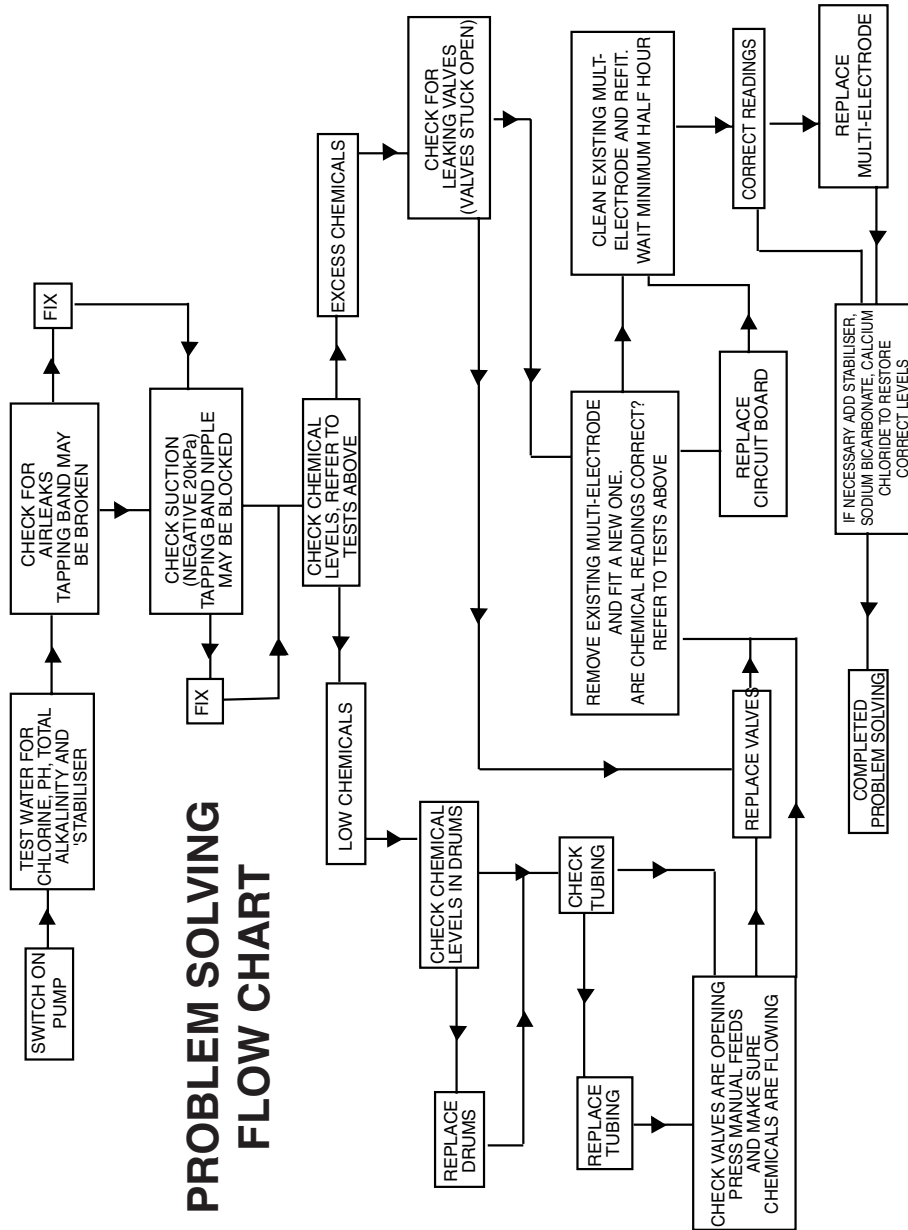
Pool Controls accepts no responsibility under this Warranty for damage including:

- Consequential damage resulting from misuse of the Chemigem
- Incorrect usage of the Chemigem
- The use of other than Chemigem parts
- Installation or repair in any way such that the performance or working life expectancy of the Chemigem is impaired

The liability under this Warranty shall not include any costs, contingent or otherwise, or liability for damage sustained by the customer or others, whether or not these costs or damages are due to the malfunction, wrong operation or actions by Pool Controls or the authorised representatives of Pool Controls, but shall be limited solely to the repair or replacement of the product

**POOL CONTROLS EXPRESSLY DISCLAIMS ANY OTHER EXPRESS OR IMPLIED WARRANTIES INCLUDING THE IMPLIED WARRANTY OF MERCHANTABILITY OR FITNESS FOR A PARTICULAR PURPOSE.**

**UNIT SERIAL NUMBER .....**



## Pool Water Circulation

To enable the Chemigem to work efficiently, the mixing of the pool water has to be as quick and complete as possible. Positioning the return nozzles (eyeballs) to the pool so that the main water-body rotates is the best way to achieve this. Under no circumstances should the eyeballs be positioned to produce opposing circulation patterns. The unit's multi-electrode (probe) monitors the Chlorine and pH levels as the water travels towards the pump.

If the mixing of the pool water is slow, the multi-electrode (probe) will not receive the signal until large amounts of chemicals have been added to the water. When the multi-electrode (probe) finally receives the signal, the pool water may be overdosed and the excess warnings will operate.

## Heated Pool

If the one pool pump is required to service both the pool heating system and the Chemigem, the pool heating plumbing must be bypassed. (Refer to pages 12&16)

## CONTACT POOL CONTROLS

If problems are encountered in the installation or operation of the unit and the problems persist after checking the Problem Solving suggestions and other relevant sections of this manual, contact Pool Controls.

**Pool Controls contact details are:**

**Phone and Fax: (+08) 9344 7044**

**Fax: (+08) 9345 1816**

**E-mail: [sales@pool-controls.com.au](mailto:sales@pool-controls.com.au)**

**Website: [www.pool-controls.com.au](http://www.pool-controls.com.au)**

**Address: 251 Balcatta Road, Balcatta  
Western Australia 6021**

# PREPARATION

## ITEMS SUPPLIED

A brief description of the items supplied and the purpose of each item:

### Chemigem

The sealed unit is connected to the solenoid valves and assists in keeping the levels of Chlorine and pH correctly balanced in swimming pools and spas. (Refer to diagram on page 13)

Key features:

- A computerised on-screen **HELP** menu
- An automatic pool pump timer
- An easy-to-read screen showing chemical settings and actual chemical readings
- Indicator light and audible alarm that monitor whether pool water chemical levels are within the required range

### Multi-Electrode (probe)

The one Multi-Electrode (probe) is fitted into the side arm of the tapping band that is then clamped around the PVC pipe running from the pool to the pool pump..

The one multi-electrode (probe) monitors both the Chlorine and pH levels.

It is mounted into the tapping band on the inlet (suction) side of the pool pump.

Chemical readings obtained by the multi-electrode (probe) are monitored by the Chemigem, resulting in Chlorine and/or pool Acid being dosed into the pool water as and when required via the solenoid valves and tapping band injector nozzle. (Refer to diagram on pages13&14)

### Tapping Band

The tapping band is inserted into the PVC pipe on the inlet (suction) side of the pool pump. (Refer to diagram on page 13)

A detailed diagram of a tapping band is provided on page 14.

The purpose of the tapping band is to house the Multi-Electrode (probe) and to provide an injector nozzle for chemicals being dosed into the pool water via the solenoid valves.

### Solenoid Valves

The solenoid valves contain the only two moving parts in the Chemigem package. The purpose of the solenoid valves is to control the flow of Chlorine and/or pool Acid from the chemical drums as and when required and to inject the chemical(s) into the pool water via an injector nozzle on the tapping band.

(Refer to diagram on page 13)

## LOW pH ALARM (Excess Acid)

This indicates that the pH level in the water is considerably lower than that which was set. The Chemigem cannot do anything about this condition except warn about it. However as a safeguard, the unit operates a lock on any more additions of Acid (that would only make matters worse) until the pH is brought back into the normal range with the addition of some Sodium Carbonate or Sodium Bicarbonate.

**Low pH levels could be due to the following:**

- Manual overdosing with pool Acid
- Poor pool water circulation leading to over-dosing.
- Excessive rainfall (that is slightly acidic) neutralising the alkalinity of the pool.
- A faulty solenoid valve.
- Multi-electrode (probe) requires cleaning (Refer to Cleaning Instructions below)

## HIGH pH ALARM (Insufficient Acid)

This indicates that the pH level in the water is considerably higher than that which was set. In this case the Chemigem will be in a locked condition and will not dose further pool Acid until the lock mechanism is overridden. This is carried out by pressing the **ESC** keypad No.2. The unit will then dose further pool Acid until the level for pH that was set has been reached.

**High pH levels could be due to the following:**

- Initial conditions in a new plaster lined pool being very alkaline and overwhelming the unit's ability to dose sufficient acid.
- The unit has a proportional acid setting that may have been adjusted to add insufficient acid
- The Acid drum may be empty
- Super chlorinating the pool
- The injector nozzle in the tapping band is clogged
- The venturi system (if fitted) is clogged
- A faulty solenoid valve
- The filter needs backwashing
- Multi-electrode (probe) requires cleaning (Refer to Cleaning Instructions below)

## CLEANING THE MULTI-ELECTRODE (PROBE)

- Remove from the tapping band by unscrewing the retaining nut and pulling out the multi-electrode (probe)
- Holding the cable, gently swirl the multi-electrode (probe) sensing components in a dilute solution of Hydrochloric Acid for 30 seconds.
- Rinse the multi-electrode (probe) in clean water
- Replace the multi-electrode (probe), making sure the "O" seal is in place
- Screw up the nut with fingers only. (Refer to page 10)

# PROBLEM SOLVING

## LOW CHLORINE ALARM

This indicates that the Chlorine level in the pool water is considerably lower than the level that was set.

The Chemigem will restore the level by feeding Chlorine approximately every 3 minutes until the set level is reached again (however feeding may be inhibited by one of the factors listed below). As the Chlorine level in the water approaches the set level, the warning sound and the red warning light will switch off, but the warning sound may be switched off at any time by pressing the **ESC** keypad No.2. This sound will come on again the next time the pool pump operates if the Chlorine level is still too low.

### Low Chlorine levels could be due to the following:

- Excessive bather load
- The Chlorine drum is empty
- Increasing the set level by a large amount
- The filter has been off for a long period on a hot day
- The Stabiliser level is too low
- The pH is too high
- The filter requires backwashing
- The strainer (part of the pump) requires cleaning out.
- Inadequate pool water circulation
- The injector nozzle in the tapping band is clogged
- The venturi system (if fitted) is clogged
- A faulty solenoid valve
- Multi-electrode (probe) requires cleaning (Refer to page 35)

## HIGH CHLORINE ALARM

This indicates that the Chlorine level in the pool is considerably higher than that which was set. Should this be due to an intentional overdose (super chlorination or shock treatment) it may be some days or even weeks before the level drops and the warnings turn off.

### High Chlorine levels could be due to the following:

- Manual overdosing with Chlorine
- The pH is too low (too much pool Acid)
- Changing the set level to a much lower setting
- High total dissolved Solids (TDS) level (above 2000 ppm)
- Inadequate pool circulation
- The solenoid valve is faulty
- Multi-electrode (probe) requires cleaning (Refer to page 35)

## Coil of Plastic Tubing

The plastic tubing is connected from the solenoid valves to the chemical drums and the tapping band. (Refer to diagram on page 13)

## Filters

There are two types of filter:

- In-Line Filter
- Drum Filter

The In-Line Filters are connected to the plastic tubing for both the Chlorine and pool Acid tube lines, between the respective chemical drums and the solenoid valves. (Refer to diagram on page 13)

The Drum Filters are connected to the plastic tubing. One is placed in the Chlorine drum and the other is placed in the pool Acid drum. (Refer to diagram on page 13)

## Sinkers

The Sinkers are fitted above the Drum Filters. The purpose of the sinkers is to provide added weight to the Drum Filters so that the filters do not float and remain positioned close to the bottom of the chemical drums. (Refer to diagram on page 13)

## Wall Anchors and Screws

There are two wall anchors and screws for the affixing of the unit to a solid surface. Wall anchors and screws are also supplied to affix the solenoid valves to a solid surface.



## TOOLS REQUIRED

The following is a list of tools required together with the purpose for each tool:

### 19mm Hole Saw

To drill a hole in the PVC pipe for the fitting of the tapping band. (Refer to diagram on page 14).

A hole saw can be purchased from most hardware stores

### Spirit Level

For fitting the Chemigem horizontally to a solid surface. (Refer to diagram on page 13)

### Electric or battery charged drill

For drilling screws to hold the Chemigem and Solenoid valves

### Drill Bits

- 5mm masonry drill bit for wall anchors (Refer to page 9)
- 3mm twist drill (for metal sheet or wood fixing)
- 10mm drill (for making holes in the lids of chemical drums)

### Knife

For cutting the plastic tubing to required lengths

### Screwdriver

For affixing self tapping screws

### Tape Measure

To measure for the location of Chemigem components

### Wrench

For tightening the tapping band. (Refer to page 10)

## OTHER ITEMS REQUIRED

Other items required together with a brief description of the purpose of the items:

### Pool Water Test Kit

A good quality test kit is essential for testing the pool water.

**The pool water must be tested and balanced before the Chemigem is turned on.**

### Chemicals

(Refer to pages 31 to 33)

### PVC Tape

For use on the chemical drums, solenoid tubing and loose wires. (Refer to pages 11&12).

### Protective Face Shield and Gloves

For use when diluting chemicals. (Refer to page 19)

### Metal Cover

An optional metal cover can be purchased from the supplier of the Chemigem. (Refer to page 9)

## Chlorine

The Chemigem is designed to automatically help keep the correct level of Chlorine (and pH) in pool water by continuously monitoring the water chemistry while the pool pump is operating. Chlorine (and pool Acid) is dosed into the pool water as and when necessary.

The Chlorine in common use is a sodium hypochlorite solution. The Chemigem uses this chemical.

### Diluting Chlorine is strongly recommended as follows:

- Pools larger than 90,000 litres ..... 20 litre drum or larger
- 20,000 to 90,000 litres ..... 20 litre drum
- 10,000 to 20,000 litres ..... 20 litres diluted 1:1 with water
- Spas/pools 2,000 to 10,000 litres ..... 20 litres diluted 1:15 with water
- Spas less than 2,000 litres ..... 10 litres diluted 1:20 with water

## IMPORTANT POINTS TO NOTE

- Adding chemicals will take only a few minutes but removing the chemicals depends upon the natural dissipation from the pool water, which could take weeks
- Add pool chemicals slowly and with appropriate care, allowing sufficient time for complete dissolving and mixing throughout the pool water and then carry out water tests to determine whether the correct amounts have been added
- Take samples at a point near the skimmer box, for this is where the water is completely mixed, giving the most accurate readings. Never take samples near the pool returns (eyeballs) where the Chemigem may have freshly dosed the pool water
- Do not overdose the pool water with either Chlorine, pool Acid or Stabiliser
- pH is lowered by the addition of pool Acid
- Excess pool Acid (low pH) is neutralised with Sodium Carbonate (strong) or Sodium Bicarbonate (less strong)
- Excess Chlorine is neutralised with Sodium Thiosulphate
- Excess Alkalinity is neutralised with Hydrochloric acid (Muriatic acid)

## POOL CHEMICAL DILUTIONS

### Pool Acid

The Chemigem is designed to automatically help keep the correct level of pH (and Chlorine) in pool water by continuously monitoring the water chemistry while the pool pump is operating. Pool Acid (and Chlorine) is dosed into the pool water as and when necessary.

There are two kinds of pool Acid in common use and the unit is able to use both:

- Hydrochloric Acid (muriatic acid).
- Non-Fuming Pool Acid (dilute sulphuric acid)

**It is strongly recommended that the non-fuming pool Acid be used because the Hydrochloric acid gives off corrosive and highly irritating fumes in its concentrated form. It must be kept at least 6 feet from the unit unless diluted at least 5 to 1 with water.**

**Diluting Pool Acid is strongly recommended as follows:**

- Pools larger than 90,000 litres ..... 15 litre drum, full strength
- 50,000 to 90,000 litres ..... 15 litres diluted 1:5 with water
- 10,000 to 50,000 litres ..... 15 litres diluted 1:10 with water
- Spas/pools 2,000 to 10,000 litres ..... 15 litres diluted 1:15 with water
- Spas less than 2,000 litres ..... 15 litres diluted 1:20 with water

**IMPORTANT Always add concentrated Acid to the water not the water to the concentrated Acid. Small quantities of water will react violently with concentrated Acid, giving off heat and boiling the water that may splash Acid.**

# INSTALLATION

## LOCATION

For ease of installation and for safety, the Chemigem must be installed as follows:

- In a normal upright position (with the printing on the front reading horizontally) and protruding cords facing toward the ground.
- Attached to a solid vertical surface to provide easy access to the power supply and should preferably be fixed at eye level. (refer to page 13)

**To obtain maximum life for the unit it is recommended that it be located in a sheltered and shaded position. Should this not be possible, an optional metal cover can be purchased.**

**(Refer to pages 12, 15&16 for the special procedures required for the placement of Chemigem when the pool pump and filter are located below pool water surface level and when the pool has a heater unit)**

Devices such as cell-phones, radios and portable CD players, are capable of emitting radio waves that may interfere with the correct operation of the Chemigem. Avoid using these devices within a radius of 5 metres of an operating Chemigem.

## POWER CONNECTION

It is important that the Chemigem only operates when the pool pump is running.

To ensure this happens, plug the pool pump into the socket in the base of the Chemigem and then plug the Chemigem into the power supply.

If the Chemigem is left switched on when the pool pump is off, the Multi Electrode (Probe) will quickly pick up false readings from the non-moving water and signal warnings until the unit is switched off.

## CHEMIGEM INSTALLATION

Position the Chemigem within 3 metres of the tapping band at a convenient height for easy operation, preferably at eye level. (Refer to diagram on page 13).

If it is impractical to install the unit at eye level because of site restrictions, install it at any height above the solenoid valves that provides ease of access and operation in a normal upright position (with the printing reading horizontally and protruding cords facing toward the ground).

**The solenoid valves must be above the height of the chemical drums.**

## TAPPING BAND INSTALLATION

### Air Leaks

Before commencing the installation of the tapping band, check for air leaks in the suction line by switching on the pool pump and checking the lint pot. If there are large quantities of air bubbles swirling around which do not clear within 2 to 3 minutes, it is likely the system has an air leak in the suction line between the pool and the pool pump.

If a pool-cleaning device is in use, carefully check the flexible hose for small pinholes that allow the entry of air into the suction line.

## Installation

Turn off the pool pump before commencing the installation of the tapping band.

Refer to the diagrams on pages 13 and 14 showing:

- The components to be connected to the PVC pipe
- The connection of the multi-electrode (probe) to the tapping band
- The location of the multi-electrode (probe) and tapping band

It is imperative to fit the tapping band to the inlet (suction) side of the pool pump (Refer to diagram on page 13) unless using a venturi system. (Refer to pages 12 & 16) The required range of pressure/suction is negative 20 kPa to negative 70 kPa

After selecting the position for the tapping band on the pool pump inlet pipe, ensure that it is as near as possible to the pool pump.

**When the Chemigem is working it is essential that the multi-electrode (probe) and injector nozzle be in a rapidly moving water stream. If not, the unit will display incorrect and erratic readings and may cause excess additions of concentrated chemicals.**

The tapping band can be positioned on either horizontal or vertical pipes, provided the multi-electrode (probe) is fitted exactly horizontally.

- If the multi-electrode (probe) is positioned with the sensor tips aiming downwards it will trap air bubbles
- If the multi-electrode (probe) is positioned with the sensor tips aiming upwards it will trap dirt or debris

Both of these positions will cause erratic and false readings of the swimming pool chemical levels.

## Drilling the Tapping Band Holes

- Drill a hole using a 19mm hole-saw through both sides of the PVC pipe
- Ensure the surround to the hole at the "O" ring contact is smooth and clean
- Fit the tapping band, first checking that the "O" rings are in position and that the arrow on the tapping band points **toward** the pool pump

**Do not use grease or sealing compound on this fitting.**

To check the accuracy of the tapping band position look through the multi-electrode (probe) arm (feel with your finger or use a mirror if the position is inaccessible) making sure the multi-electrode (probe) is lined up exactly with the holes. Tighten by hand and then give the nuts half a turn with a wrench. If the tapping band is over tightened it will split.

## Inner Shell of Tapping Band

The inner shell of the tapping band is used if the PVC pipe has a 40mm diameter.

If 50mm diameter PVC pipe is used, the inner shell of the tapping band is not required. (Refer to diagram on page 14).

## MULTI-ELECTRODE (PROBE) INSTALLATION

- Remove the multi-electrode (probe) protective cap, before fitting the multi-electrode (probe) to the tapping band (Refer to diagram on page 14).  
**The protective cap should be retained for possible future use. (Refer to page 25)**
- Fully insert the multi-electrode (probe) (with "O" ring fitted) into the tapping band and **hand tighten only**.

**Do not use grease or sealant on this connection to avoid contaminating the sensing part of the multi-electrode probe.**

# CHEMICALS

## CHEMICAL FEEDING

Depending upon how the unit has been programmed, the standard procedure is that the first time that the unit operates it will take approximately 120 minutes to fully adjust to the required levels of Chlorine and pH. Thereafter it will normally restore the required levels in approximately 30 minutes.

**Ensure that the pool pump is running for a sufficient period to carry out these adjustments.**

## ADJUSTMENTS TO CHEMICAL LEVELS

The day following the installation of the Chemigem and after the pool pump has been running for 30 minutes, check the level of Chlorine and pH with a good quality test kit. If either of the levels is not exactly at the levels required, alter the settings a little with keypads No'd 7 and 8 or 9 and 0. The Chemigem will bring about the changes to the chemistry of the pool water as the pool pump circulates the water.

It is suggested that swimming pool water should be maintained within the following ranges and that these ranges are confirmed with your local authorities as meeting their standards:

• CHLORINE	1.0 to	3.0 ppm or	3.0 mg/l
• pH	7.2 to	7.8	
• CALCIUM HARDNESS	90 to	300 ppm or	300 mg/l
• STABILISER	30 to	50 ppm or	50 mg/l
• TOTAL ALKALINITY	80 to	300 ppm or	300 mg/l
• TOTAL DISSOLVED SOLIDS (TDS)	300 to	1500 ppm or	1500 mg/l

The Chemigem will work at maintaining Chlorine (ORP) levels within a range of 600 - 700 millivolts when set at 650 and pH levels within 0.2 pH units of that set.

It has been found that if ORP is maintained at 650 millivolts, the kill time of E-coli type bacteria is about one second.

If the ORP is lowered to 550 millivolts, the same organisms could take up to 2 hours to be eliminated.

The pH scale runs from 1 to 14, with 1 being strongly acid and 14 being strongly alkali.

Pool water should be between pH 7.0 and 7.8 (which is almost neutral) so it is not harmful to humans.

pH values at the upper and lower ends of this scale are **very dangerous**.

pH is also very important in keeping pool surfaces from degrading too rapidly. Too much acid (too low a pH value) will cause plaster surfaces to degrade quickly. The unit is factory - set to help maintain pH at 7.7 to keep the pool plaster in good condition. If after a few days the unit is not able to keep within these ranges, consult the Problem Solving pages 34 to 36 in this manual and/or contact the supplier of the Chemigem or a qualified pool maintenance technician.

## THE AUDIBLE ALARM

The alarm sound can be turned down in volume or completely off if required. It may be temporarily muted by pressing keypad No. 2, leaving the red warning light flashing and the screen message to indicate the warning state. However, the next time the pump turns on it will restore the warning sound unless the pool chemistry has been brought back into the normal range.

**If it is decided to turn off the audible alarm for any reason, the Chemigem will not have that warning capability and the pool owners will have to rely on their own ability to monitor the indicator lights on the face of the unit to verify that the Chlorine and pH levels are within acceptable limits (Refer to pages 17&18)**

To lower the volume to half level or turn the sound permanently off, proceed as follows-

- Obtain **MAIN MENU** by pressing the **ENTER** keypad
- Press keypad No. 6 to make **NEXT** flash then **ENTER**
- Press keypad No. 6 to make **SECUR** flash then **ENTER**
- Press keypad No. 6 to make **SYS** flash then **ENTER**
- Press **ENTER** repeatedly to get required option
- Press **ESC** several times to return to normal display

## ALARM LIGHT AND SOUND - STEPS TO TAKE

**Alarms must not be ignored. Immediately investigate the causes and until it is certain that the pool water is safe, do not use the pool. Seek professional help from a qualified pool maintenance technician if it is not fully understood what is happening.**

- Read the message on the screen. This will advise which chemical is out of the normal range
- Make a test of the pool water with a good quality test kit to check if the Chemigem has the same readings
- It is very important that the chemical reagents in the test kit are well within their use-by date. If in doubt, take a fresh sample of pool water to a pool shop for an independent test
- If the Chlorine is too low, or the pH too high, check the drums of chemical to determine whether they have run out
- If the Chlorine is too high or the pH too low, switch off the one that is incorrect and as an extra precaution, remove the tube from the drum and place it in a bucket of water

Consult the Problem Solving section on pages 34 to 36 for suggestions on how to deal with chemical excesses.

## SOLENOID VALVE INSTALLATION

- The valves must be fitted as near as possible to the tapping band (Refer to diagram on page 13)
- The valves must be screwed to a vertical surface above the top of the chemical drums and no more than 750mm from the ground so that the pool pump may easily raise the chemicals from the drums

To meet special needs, a Venturi system can be connected to the solenoid valves. (Refer to page 12)

## SOLENOID VALVE TUBING INSTALLATION

- Connect a length of tubing between the centre nipple on the solenoid valve base and the tapping band injector nozzle
- Connect a length of tubing to the Chlorine in-line filter and lay it neatly to the Chlorine drum (Refer to diagram on page 13)
- Connect a length of tubing to the pool Acid in-line filter and lay it neatly to the pool Acid drum (Refer to diagram on page 13)

Ensure that the tubing is absolutely clean and free from sand and dirt before fitting, as particles may enter the valve and cause leakage.

Do not use any tubing other than that supplied. To do so may result in damage to the Chemigem and negate the Warranty. If additional tubing is required for the installation of the unit, it will be supplied at no cost.

## CHEMICAL DRUMS INSTALLATION

**Ensure the Chlorine and pool Acid are kept in visually different drums to avoid wrong connection. Use colour or size differences, or both.**

Refer to the cutaway diagram of chemical drum on page 13 for a presentation of the following:

- Position the Chlorine and Acid drums in a safe and secure location about 2 metres from the Chemigem
- Drill a 10mm hole in each of the screw-on drum caps (slightly larger than the diameter of the tubing) to allow venting and to prevent the drum walls from being sucked in as the chemicals are used
- Pass each length of supplied tubing through the hole in the appropriate drum cap
- Place the supplied sinkers onto the tubing and attach the appropriate drum filter (Refer to page 7)
- When placing the tubing into the drums, measure the tubing against the outside of each drum so that the drum filter will be 10-15mm above the bottom of the drum and then apply several turns of PVC tape at a point above the cap to prevent the tubing from slipping further into the drum
- Lower the drum filter and sinker into the drum and screw on the cap. (Refer to pages 32&33) for Chlorine and pool Acid dilution details.

## FITTING CHEMIGEM TO A HEATED POOL

If the pool heating system is controlled by a separate pool pump, there are no factors that affect the installation of a Chemigem.

**If the one pool pump is required to service both the pool heating system and the Chemigem, the pool heating plumbing must be bypassed. This will necessitate the installation of a Venturi system at an additional cost.(Refer to diagram on page 16)**

## FITTING CHEMIGEM BELOW POOL WATER SURFACE LEVEL

The following instructions assume the installer has some knowledge of the operation of the pool and the parts described. If the installer is not experienced in pool operation and maintenance, contact the supplier of the Chemigem or a qualified pool maintenance technician with any questions before attempting to carry out the steps described in this section.

The Chemigem must be installed within 3 metres of the tapping band and in an upright position and attached to a solid vertical surface, preferably at eye level.

If it is impractical to install the unit at eye level because of site restrictions, install it at any height above the solenoid valves that provides ease of access and operation. The solenoid valves need to be above the height of the chemical drums.

When the pool pump and filter are fitted below the pool water surface level, the suction line may be under positive pressure even with the pump running. In this case an isolating valve **must** be fitted to enable the pump and filter to be serviced.

Fit the tapping band between the isolating valve and the pool pump and close the isolating valve sufficiently to obtain the required suction so as to allow the unit to operate effectively.

The required suction range is negative 20kPa to negative 70 kPa when the pool pump is running and the filter is clean.

Methods to obtain improved suction involve using venturi devices or orifice plates. Contact the supplier of the Chemigem or a qualified pool maintenance technician for information on these.

**If the pool pump is more than one metre below the pool water surface it is essential to fit Non Return Valves into the chemical supply tubing to prevent back-flow into the chemical drums.**

Failure to prevent the back-flow into the chemical drums would cause spillage from the drums, which in turn may result in the two concentrated chemicals mixing together out of the pool water and producing poisonous chlorine gas. **In addition, there is the serious possibility of personal injury from contact with the chemicals and breathing the fumes.**

## VENTURI SYSTEM

A venturi system is required for:

- Special needs, such as fitting a Chemigem below the pool water surface level (Refer above and to page 15)
- Pools that are heated (Refer to pages 12&16)

Pool Controls provides information on the installation procedure for a venturi system.

Pool Controls provides the venturi system at an additional cost.

## NEATENING UP

Finish the installation by taping all loose wires and tubing together and place off the ground to prevent damage and possible electrical shorting.

# ALARMS

## INDICATOR LIGHT AND SOUND

The safety warning sounds and alarm signals will not operate for the first 5 minutes.

## THE NORMAL RANGE

When the pool pump is running the Chemigem shows a green light if the pool chemical levels are within the normal range.

To ensure the unit is maintaining the pool water at the required levels, check the pool water on a regular basis with a good quality test kit.

The unit operates to keep the activity of Chlorine in the pool at a level where micro-organisms are killed in about 1 second. For this to happen both the Chlorine (ORP) and pH must be kept within a fairly narrow band. (Refer to page 19)

## OUTSIDE THE NORMAL RANGE

If the levels of chemicals move outside the optimum band the Chemigem will indicate this in two ways.

- It will sound an alarm (provided the alarm is switched on: (Refer to “Audible Alarm” on page 30)
- The red light will flash at one-second intervals

When the alarm is sounding and the red light is flashing the unit will also indicate on the screen the reason for the alarm.

**This booklet contains sections on what remedial action to take should the warnings operate.**

**Pressing the HELP keypad will also provide immediate suggestions.**

**If the unit is indicating that the chemical levels are outside the normal range do not use the pool for bathing unless the problem is resolved. Study the Problem Solving guide on pages 34 to 36. Failure to take these safety precautions when the unit is indicating it is outside normal ranges may be dangerous, as outlined below: -**

- Low Chlorine means the water could be carrying live and dangerous germs
- High Chlorine will bleach swimwear and may irritate sensitive skin
- Low pH is acidic and may irritate eyes and skin
- High pH makes the Chlorine less able to kill germs

## SETTING “AUTOMATIC” POOL PUMP TIMES

Utilising the automatic pool pump timer provides an assured method of achieving a regular circulation of pool water through the pool filter. Further, as the Chemigem operates when the pool pump is running, the pool water will automatically remain balanced.

### Factory set times vary depending on State.

The electronic timer is purely a 24 hour device and **ON TIMES** cannot be greater in value than **OFF TIMES**.

The timer can be programmed to operate at the most convenient times during the day and can easily be changed to suit varying pool usage at different times of the year

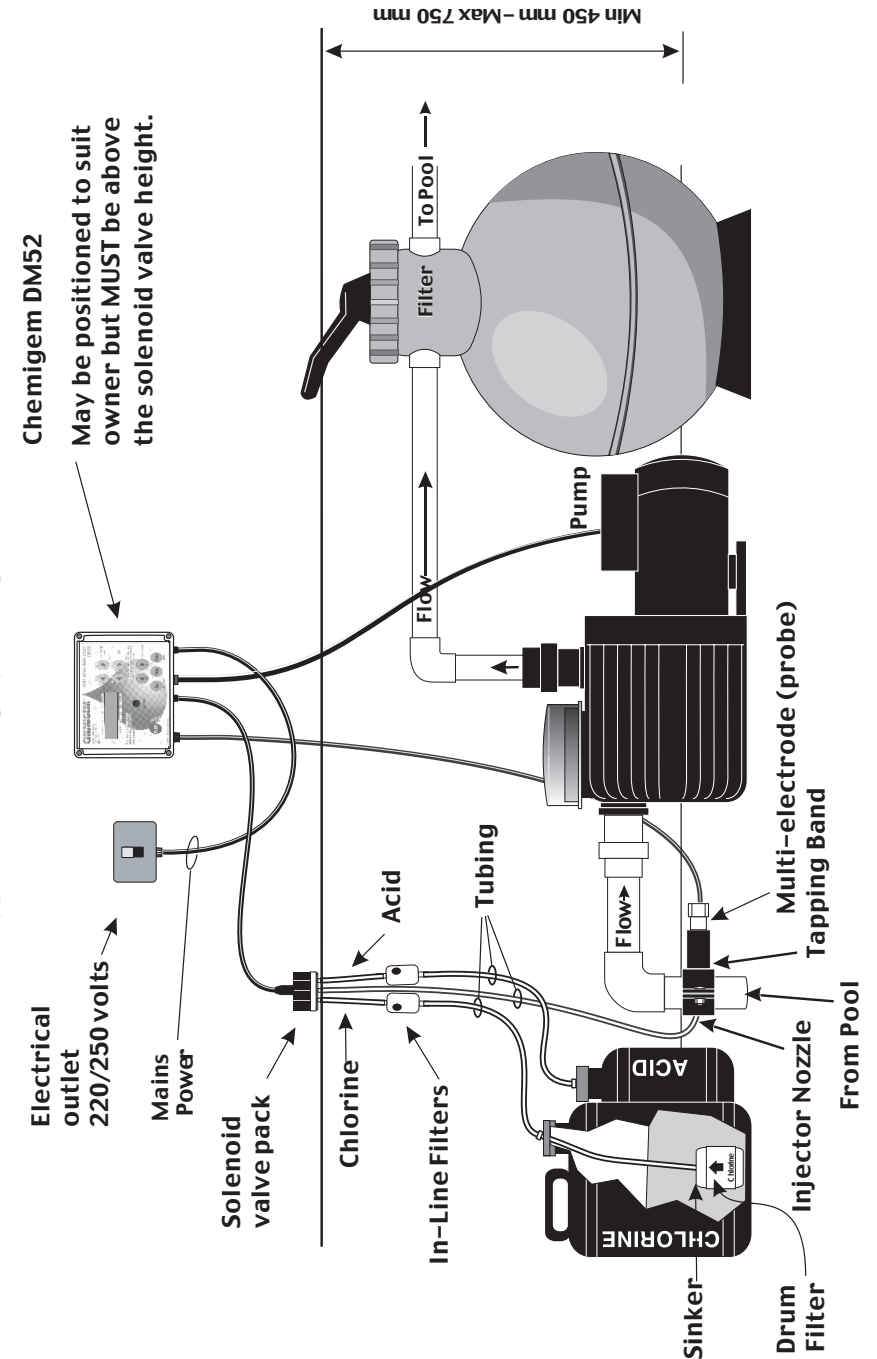
- Pump timing is a function of the **MAIN MENU** that is accessed by pressing keypad No. 4 labeled **ENTER**. Once the **MAIN MENU** is displayed on the screen, follow these steps:
- The word **TIMER** will be flashing and it must be selected from the menu by pressing **ENTER** keypad No. 4.
- The first timing program will be displayed with **PROG 1** flashing. To select others from the seven programmes available, press **ENTER** while **PROG 1** is flashing, to advance to programme 2, 3 etc.
- The **START** and **STOP** times are shown as two pairs of digits. The first pair in each case being hours, the second pair being minutes. The 24-hour clock is used. To select the **START TIME HOURS** move the flashing symbol to the right by pressing keypad No. 6. The **HOURS** digits will now be flashing. To increase the **HOURS** press the **ENTER** keypad once for every hour the start time is to be advanced. If advanced too far, keep advancing until the display is returned to the required number
- To select the **START TIME MINUTES** move the flashing symbol to the right again, using keypad No. 6 as stated above and advance the minutes by 5 minutes for each press using the **ENTER** keypad
- Set the **STOP TIMES** by moving the flashing symbol further to the right with keypad No. 6. Select it by pressing **ENTER**, and advance the hours as before with the **ENTER** keypad. Complete by setting stop time minutes if required. If other start and stop times are required, select **TIMER** and then **PROG 2** etc. and program start and stop times as required
- Press **ESC** keypad several times to return to normal display.

## TO SET THE CLOCK

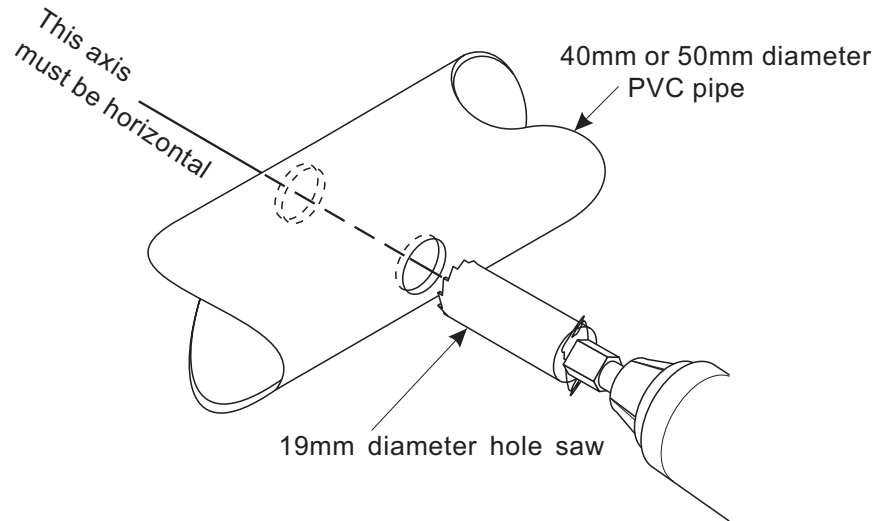
A 24 hour clock is used

- Select **MAIN MENU** by pressing **ENTER** (keypad No. 4)
- Make the word **CLOCK** flash by pressing keypad No. 6
- Select **CLOCK** by pressing keypad No. 4
- The first two digits will be flashing. These are the hours that can be advanced by one hour for each press of keypad No. 4
- Move the flashing point to the right again using keypad No.6 and advance the minutes to the correct time using keypad No. 4
- Press **ESC** several times to return to normal display

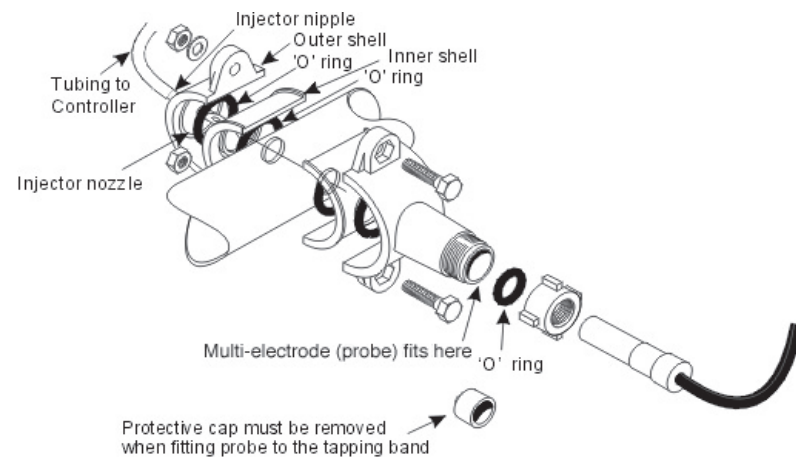
## INSTALLATION DIAGRAM



## DRILLING TAPPING BAND HOLES



## TAPPING BAND AND MULTI-ELECTRODE (PROBE)



# POOL PUMP TIMER

## SETTING THE INBUILT POOL PUMP TIMER

The Chemigem has its own inbuilt electronic timer to turn the pool pump on and off as and when required.

If it is decided to turn off the automatic pool pump timer and use the manual switching of the pool pump on a daily basis, this may result in unbalanced pool water that is not safe for swimming. If necessary, obtain advice from a qualified pool maintenance technician.

## TO TURN OFF THE INBUILT POOL PUMP TIMER

It can be switched off as follows: -

- Press the **ENTER** keypad No. 4 to display **MAIN MENU**
- Select flashing word **TIMER** by pressing the **ENTER** keypad
- Keeping in **PROG 1** and using keypad No. 6, move the flashing symbol to the right and advance all the numbers to zeros by pressing **ENTER** as many times as required
- Return to normal display by pressing the **ESC** keypad several times

## IF THE INBUILT POOL PUMP TIMER IS DISABLED

If the in-built timer is disabled, the Chemigem will lose the ability to turn the pool pump on manually with the "PUMP" keypad. To turn the pool pump and the Chemigem on or off manually, it will be necessary to use the mains power switch.

To reinstate the inbuilt pool pump timer set "**AUTOMATIC**" **PUMP TIMES** (Refer to page 28)

## MANUAL STARTING OF THE INBUILT POOL PUMP TIMER

It is likely that the pool water balance will fluctuate during any period when the pool pump is manually started and stopped, for it may be that the pool pump will not be running on a regular basis for the required times.

**During this period it is strongly advisable to regularly check on the pool water with a good quality test kit.**

To turn the Chemigem on when the timers are already programmed and functional, but when it is not in a pumping cycle, press the keypad marked **PUMP** (keypad No.1). The first press will bring the pool pump and the unit on for one hour.

Manual "**ON-TIMES**" is switched off by pressing the pump keypad once (goes to "**MANUAL OFF**") or twice (goes to "**AUTO**").

Should a manual "**ON-TIME**" longer than 1 hour be required, proceed as follows: -

- Press keypad No. 1 a few times until the screen message states that the pump is operating under "**AUTOMATIC TIMER**"
- Press once more and hold down continuously (keypad No.1) until the required "**ON-TIME**" in hours is displayed on the screen.

The Chemigem will then operate for that number of hours and when all manually set times have expired the unit will automatically return to "**AUTOMATIC TIMER**" to switch on and off the pool pump.

## MANUAL DOSING OVERRIDE

If as a result of a pool water test it is determined that the Chlorine and/or pH are not within acceptable levels, the Chemigem can perform a manual dosing operation to rapidly add Chlorine and pool Acid.

Keypads No'd 5 and 6 carry out this function. Normally it will only be necessary to have to dose one of the chemicals in this fashion but if for any reason both of these keypads are pressed at once, only the pH will operate.

As soon as the manual-feed keypad is pressed the main screen will appear blank for 2 seconds after which it will display which feed is taking place. Feeding will continue for about 20 seconds, while the keypad is pressed. When the display panel returns to normal, the dosing stops. Press again to repeat as many times as required.

(Refer to page 23)

## RE-CALIBRATING pH

The Chemigem has been equipped with a quick procedure to re-calibrate pH values. If for any reason the factory-settings are not the required levels, the unit can be re-calibrated.

**Do not re-calibrate until identical pH readings have been obtained from at least three test kit results from around the pool.**

Steps to take once an accurate value of the pool pH has been obtained: -

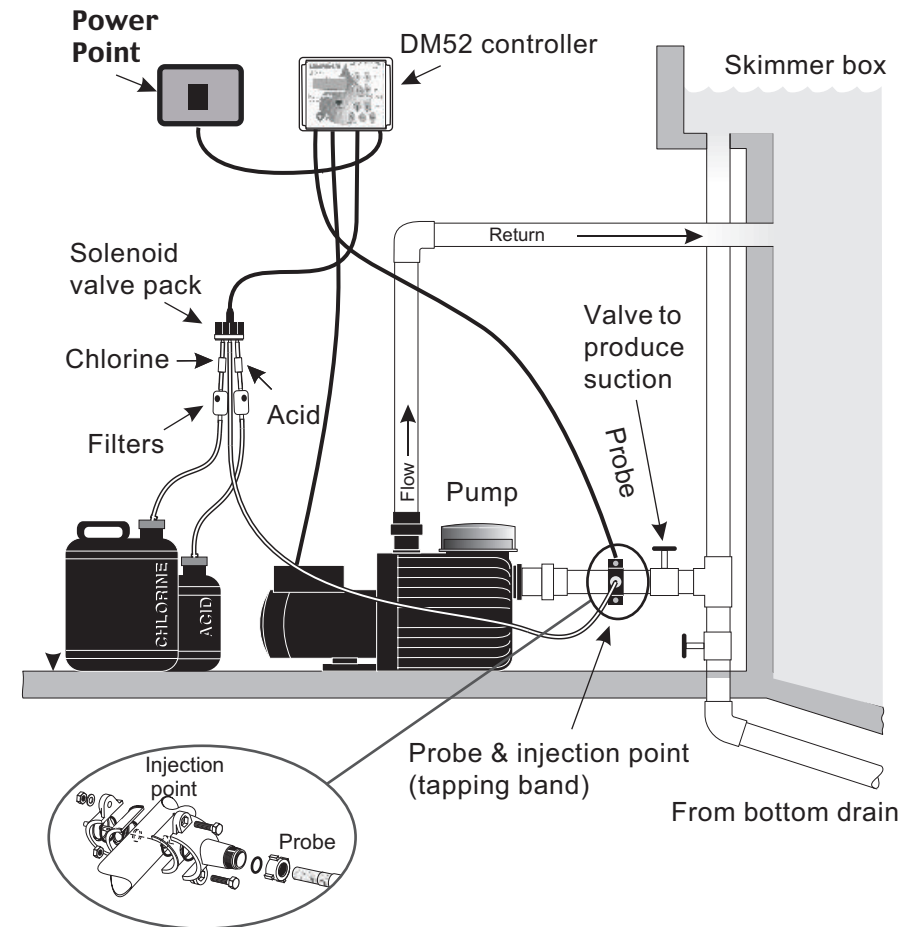
- Obtain **MAIN MENU** by pressing the **ENTER** keypad
- Press keypad No. 6 to make "**NEXT**" flash, then press **ENTER** again
- With "**CALIB**" flashing press **ENTER** again
- Enter the value of the pool pH by pressing keypads No'd 7 or 8 to obtain the correct value
- To activate this new value press both **HELP** and **ENTER** keypads together (keypads No'd 3 and 4)

Instructions similar to above will appear on the screen and will scroll after 5 seconds.

## RE-CALIBRATING CHLORINE

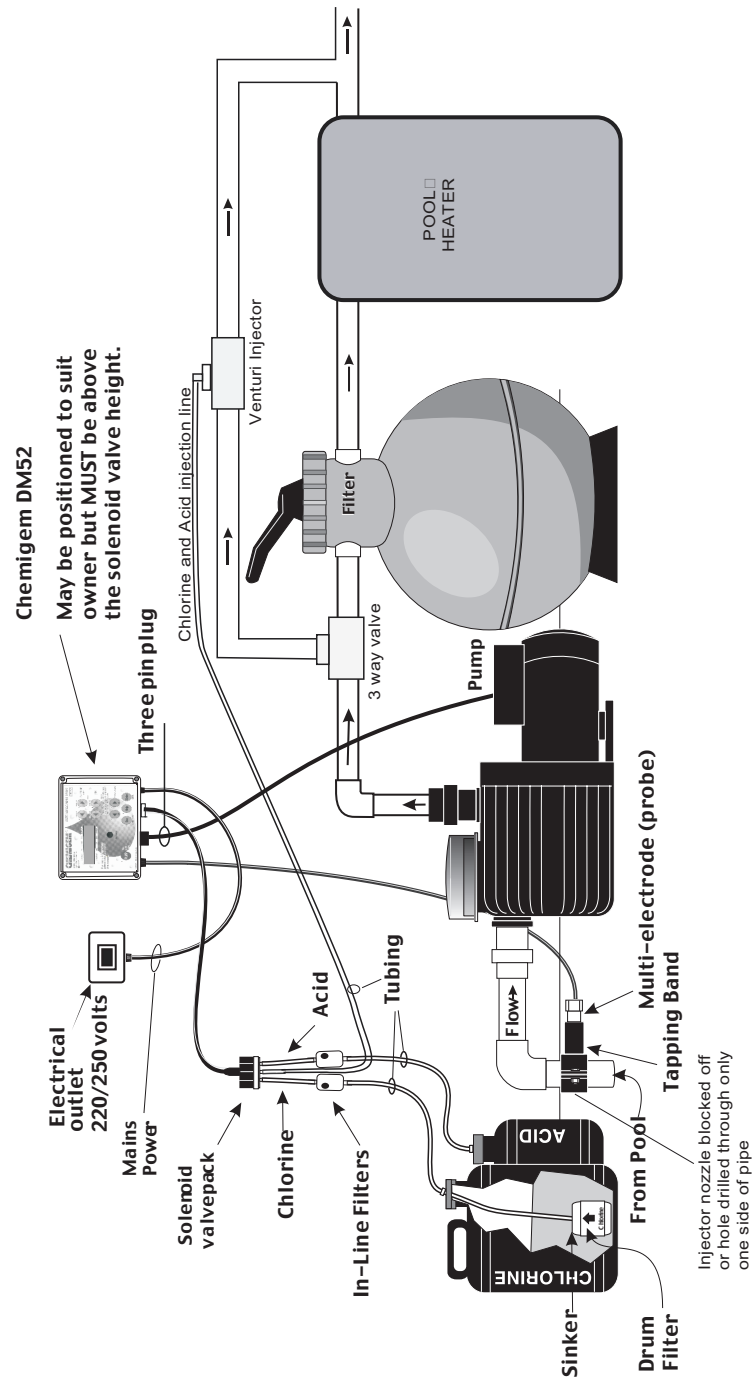
Recalibrating Chlorine(ORP) is not needed and it should not be actioned without the prior advice of Pool Controls.

## FITTING CHEMIGEM BELOW POOL WATER SURFACE LEVEL





## FITTING CHEMIGEM WHEN HEATER IS IN CIRCULATION, USING VENTURI INJECTOR DEVICE



## EMPTYING SWIMMING POOL AND FREEZING CONDITIONS

- If the pool water is emptied from the swimming pool, pool pump, pool filter and associated pool piping for any reason (such as when the pool is being serviced)
- During periods of freezing conditions (below 32 degrees fahrenheit or zero degrees celsius)

It is essential to remove the multi-electrode (probe) and to cover the sensing end of the multi-electrode (probe) with the white protective cap that is provided (refer to pages 10 and 14) and to temporarily seal the resultant exposed hole in the tapping band (to avoid water seepage or sand and dirt entering the pool piping).

Failure to carry out these functions may damage the multi-electrode (probe) and negate the Warranty.

Refer to page 10 for the re-installation of the multi-electrode (probe).

Contact the supplier of the Chemigem or a qualified pool maintenance technician if assistance is required for the removal and re-installation procedures.

## TURNING ON AND OFF THE CHLORINE AND POOL ACID

Do not turn off either the Chlorine or pool Acid supply without advice from a qualified pool maintenance technician or the supplier of the Chemigem.

Turning off the supply of either of the chemicals is not normally necessary and could lead to unbalanced pool water that may not be safe for swimming.

In the event that it is necessary to turn off (disable) the Chlorine or pH function, the Chemigem has an easy means of doing this:

### To Turn Off the Chlorine

Press and hold down the keypads No'd 9 and 0 at the same time for 3 seconds. While doing so the display will show "TO DISABLE CHLORINE HOLD FOR 3 SEC" and at the end of the 3 seconds it will display "CHLORINE OFF".

### To Turn On the Chlorine

Press and hold down keypads No'd 9 and 0 at the same time for 3 seconds, after which time the unit will beep and resume displaying the set and actual values for the Chlorine (ORP) of the pool.

### To Turn Off the Pool Acid (pH)

Press and hold down the keypads No'd 7 and 8 at the same time for 3 seconds. While doing so the display will show "TO DISABLE pH HOLD FOR 3 SEC" and at the end of the 3 seconds it will display "pH OFF".

### To Turn On the Pool Acid (pH)

Press and hold down keypads No'd 7 and 8 at the same time for 3 seconds, after which time the unit will beep and resume displaying the set and actual values for the pH of the pool.

## KEYPADS No'd 7 and 8: “AUTOMATICALLY INCREASE AND DECREASE POOL ACID SET LEVELS”

Keypads No'd 7 and 8 are used to set the level of pH required in the pool water. The keypads raise or lower the required level and the unit will then acquire and hold the set level.

**If the pH level required is lowered using keypad 7 the unit will achieve the new level quickly by adding some pool Acid.**

**However if the pH level required is raised using keypad 8, the unit cannot make the changes rapidly.** (If Chlorine is added to the pool water during the next few weeks it will slowly raise the pH of the pool water)

These two keypads are also used together to turn the pH function on and off.

To manually turn off the pH and to turn it on again, (Refer to page 25)

## KEYPADS No'd 9 and 0: “AUTOMATICALLY INCREASE AND DECREASE CHLORINE SET LEVELS”

Keypads No'd 9 and 0 are used to set the level of Chlorine required in the pool water. The keypads raise or lower the required level and the Chemigem will then acquire and hold the set level.

If the Chlorine level required is to be lowered, keypad 9 will lower the set level. It may take some days or even weeks before the Chlorine level drops to the required setting. However if the Chlorine level is to be raised, press keypad 0. The unit will feed Chlorine every 3 minutes until the set level is reached.

To manually turn off the Chlorine and to turn it on again, (Refer to page 25)

# OPERATION

## INTRODUCTION

The Chemigem is designed for use with all types of pools and to measure and automatically adjust the Chlorine and pH levels in the pool water.

Once levels are finally set or adjusted, the unit should be left alone.

The unit has been factory-set to achieve 650 millivolts Chlorine (ORP) and 7.7pH .

It has been found that if ORP is maintained at 650 millivolts, the kill time of E-coli type bacteria is about one second.

If the ORP is lowered to 550 millivolts, the same organisms could take up to 2 hours to be eliminated.

If the unit is used with these factory-set points as the selected levels, it should obtain approximately 2-4 ppm Chlorine and 7.7 pH, providing the stabilizer level is at 50 ppm. If the stabiliser level is 30 ppm or less, the Chlorine will be around 1 ppm.

## READING THE DISPLAY PANEL

600	SET	650	CHLORINE (ORP) pH
7.2	SET	7.7	

## What do the Chlorine and pH Numbers Represent?

- The Chlorine (ORP) number is the activity of the chlorine (see explanation of ORP (Below) and measures in millivolts. (Refer to pages 19 and 31 to 33)
- The pH number is the measure of acid / alkalinity and is displayed in units of the pH scale.

## What is ORP?

The Chemigem is designed to measure and automatically adjust Chlorine (ORP) and pH levels in the pool water. (Refer above). As an explanation of what ORP is, the following is provided:

For over 20 years operators in many parts of the world have used Oxidation-Reduction-Potential (ORP or REDOX) values as a measure of Chlorine activity in water. ORP is a measure of the oxidising properties of the Chlorine in the water and is easily monitored by the Chemigem multi-electrode (probe).

When the multi-electrode (probe) is placed into water containing Chlorine it behaves like an electric cell and creates a small but measurable electric voltage. This voltage is proportional to the activity of Chlorine in the water.

It has been found that if ORP is maintained at 650 millivolts, the kill time of E-coli type bacteria is about one second. If the ORP is lowered to 550 millivolts, the same organisms could take up to 2 hours to be eliminated.

The test kit will measure Chlorine as parts per million (ppm) but the activity level of the

Chlorine (and therefore the kill-time) depends upon the other materials dissolved in the pool water.

**For an ORP controller to work properly the pH, Total Dissolved Solids (TDS), stabiliser (iso cyanuric acid) and calcium hardness must be maintained within the recommended levels given on pages 19&31.**

### Left Hand Side of Display Screen

The numbers on the left hand side of the display screen are the values the multi-electrode (probe) is registering for the **actual** levels of Chlorine and pH within the pool water.

The Chemigem will work to achieve the same values as those “**SET**” on the right-hand end of the display.

### Right Hand Side of Display Screen

The numbers on the right-hand side of the display screen are the values “**SET**”. The unit has been factory-set to achieve 650 millivolts Chlorine (ORP) and 7.7pH as the preferred levels for Chlorine and pH respectively.

These settings may be raised or lowered using the keypads No'd. 7 and 8 for pH and 9 and 0 for Chlorine (ORP) to the right of the display screen.

### Password

The Chemigem is protected by a password No. **549**

The number will only be required when operating any of the function changing keypads if the programme has been activated.

### Alternative Display

The Chemigem is able to display the operation in pictorial form if preferred. To change to this form of display or to change back again, carry out the following steps:

- With the unit running, obtain **MAIN MENU** by pressing keypad No. 4.
- Press keypad No. 6 to move the flashing symbol over to **NEXT**
- Press keypad No. 4
- Press keypad No. 6 again to make **DISP** flash
- Press keypad No. 4 once more

### KEYPAD No. 4:

#### “ENTER”

The main feature of the keypad is to obtain the menu items and to select those that are made to flash.

- Pressing this keypad brings the “**MAIN MENU**” items on to the screen
- It will select any word that is flashing on the screen. To change the word that is flashing, use the keypads No'd 5 or 6, then press keypad No. 4 again to select it.

It also advances the digits when setting the clock and timer

When adjusting times in the “**CLOCK**” or “**TIMER**” functions, each press of the **ENTER** keypad advances the number which is flashing, by one digit. (Refer to pages 27 and 28)

### KEYPAD No. 5:

#### “CHLORINE MANUAL FEED”

If as a result of a pool water test it is determined that the Chlorine is not within acceptable levels, the Chemigem can perform a manual dosing operation to bring the level up rapidly.

The unit is equipped with the facility to override its normal operation and to dose Chlorine manually. Keypad No. 5 performs this function.

Refer also to keypad No.6 that manually feeds pool Acid (pH)

Normally it will only be necessary to manually dose either Chlorine or pH, however if for any reason keyboards No'd. 5 and 6 are both pressed at once, only the pH will operate.

As soon as the manual-feed keypad is pressed the main screen will appear blank for 2 seconds after which it will display which feed is taking place.

Feeding will continue for about 20 seconds, while the keypad is pressed.

When the display panel returns to normal the dosing stops.

Press again to repeat as many times as required.

After manually dosing with Chlorine, monitor the setting for several hours afterwards to make sure that the recommended levels have been restored.

### KEYPAD No. 6:

#### “POOL ACID MANUAL FEED”

If as a result of a pool water test it is determined that the Pool Acid (pH) is not within acceptable levels, the Chemigem can perform a manual dosing operation to **lower** the level rapidly.

The unit is equipped with the facility to override its normal operation and to dose pool Acid manually.

Refer also to keypad No. 5 that manually feeds Chlorine.

Normally it will only be necessary to manually dose either Chlorine or pool Acid, however if for any reason keypads No'd 5 and 6 are both pressed at once, only the pool Acid will operate.

As soon as the manual-feed keypad is pressed the main screen will appear blank for 2 seconds after which it will display which feed is taking place.

Feeding will continue for about 20 seconds, while the keypad is pressed.

## KEYPADS

### KEYPAD No. 1: “PUMP”

When the power has been switched on the screen will light up, however the pool pump will not operate unless the time is within a “PUMP-ON” period.

This keypad controls the operation of the pool pump and the controlling function of the unit. It has three positions and scrolls through them with each press on the keypad.

- The first press will move the pump status from “AUTO” to “ON” and the pool pump will then run for one hour. The screen will show a message to confirm this
- Pressing the keypad again will move the pump status to “OFF” and the screen will confirm this
- With a third press the pump status will return to “AUTO” and the timer will then switch the pump on and off according to the times set

Dosing of chemicals will only commence after a few minutes to allow for adequate mixing and accurate monitoring. Similarly the safety warning sounds and alarm signals will not operate for the first 5 minutes

Should a manual “ON-TIME” longer than 1 hour be required, proceed as follows:

- Press “PUMP” keypad No. 1 a few times until the screen message states that the pump is operating under “AUTOMATIC TIMER”
- Press once more and hold down continuously keypad No. 1 until the required “ON-TIME” in hours is displayed on the screen

The unit will then operate for that number of hours and when all manually set times have expired the unit will automatically return to “AUTOMATIC TIMER” to switch on and off the pool pump.

If the Chemigem inbuilt pool pump timer is disabled by the pool operator, the unit will lose the ability to turn the pool pump on manually with the “PUMP” keypad. To turn the pool pump on or off manually when the timer has been disabled, use the mains power switch.

To reinstate the inbuilt timer, set “Automatic Pump Times” (Refer to page 28)

### KEYPAD No. 2: “ESCAPE” AND “ALARM MUTE”

The keypad has three functions: -

- When the setup of the Chemigem is completed or required changes made, pressing the **ESC** keypad will return to normal display.
- When alarms are sounding it can be pressed to mute the warning tone. The warning tone will be restored when the unit next switches on. (Refer to page 30). The flashing red light remains on until the pool chemistry returns to the preset levels
- Removes lock-out associated with high pH alarm( Refer to page 35)

### KEYPAD No. 3: “HELP”

When the Chemigem is indicating that the chemical levels in the pool water are incorrect, helpful advice is obtained by pressing this keypad. Suggestions and guides are given.

Reference to the relevant pages in this manual provide a more in-depth treatment of the problems.

## BEFORE STARTING THE CHEMIGEM

**Before switching on the Chemigem carry out a full water test with a good quality test kit and balance the pool water to the levels shown below.**

**If the pool water is not balanced when the unit is first turned on, the unit may fail to correctly control the pool water.**

**Calcium Hardness, Total Alkalinity and pH should be adjusted first, followed by Chlorine and then Stabiliser (Iso-cyanuric acid).**

Initial set up by the pool builder often includes the addition of the first amounts of chemicals. These may be estimated amounts and may require adjustment.

- Adding chemicals will take only a few minutes but removing the chemicals depends upon the natural dissipation from the pool, which could take weeks
- pH is lowered by the addition of acid
- Do not overdose the pool with Chlorine, pool Acid or Stabiliser
- Always add the various pool chemicals slowly and with care, allowing sufficient time for complete dissolving and mixing throughout the pool water
- Finally, carry out careful water tests to determine whether the correct amounts have been added

If unsure how to carry out a water test and/or initially balance the pool water, request a qualified pool maintenance technician to do this for you.

It is suggested that swimming pool water should be maintained within the following ranges and that these ranges are confirmed with your local authorities as meeting their standards:

• CHLORINE	1.0 to	3.0 ppm or	3.0 mg/l
• pH	7.2 to	7.8	
• CALCIUM HARDNESS	90 to	300 ppm or	300 mg/l
• STABILISER	30 to	50 ppm or	50 mg/l
• TOTAL ALKALINITY	80 to	300 ppm or	300 mg/l
• TOTAL DISSOLVED SOLIDS (TDS)	300 to	1500 ppm or	1500 mg/l

Pay particular attention to the instructions on the chemical drums. Add each chemical separately and slowly allowing plenty of time for them to dissolve. Always test between additions with a good quality test kit.

When diluting chemicals **always** add the concentrated chemical substance to the water and **never** add the water to the concentrated chemical. Some chemicals react violently with water and can splash into the face and eyes. **Always** wear a protective face shield and gloves for such operations.

After the pool water has been correctly balanced and the unit is switched on, it will measure and automatically adjust the Chlorine and pH levels. Chlorine and pool Acid will feed separately for a few seconds approximately every 3 minutes until the required levels are reached - depending on how the unit has been programmed.

## ELECTRONIC CLOCK

The Chemigem has an in-built electronic clock with a battery back up (which should last for several years) that controls the automatic switching on and off of the pool pump. (Refer to page 28)

## DOSING OF CHEMICALS

Dosing of chemicals will only commence after a few minutes to allow for adequate mixing and accurate sensing. Similarly the safety warning sounds and alarm signals will not operate for the first 5 minutes.

Every 3 minutes Chlorine will feed for 8 seconds and then pool Acid will feed separately for 7 seconds, until the required chemical levels are reached - depending on how the unit has been programmed (Refer to page 18)

Depending upon how the unit has been programmed, the standard procedure is that the first time that the unit operates it will take approximately 120 minutes to fully adjust to the required levels of Chlorine and pH. Thereafter it will normally restore the required levels in approximately 30 minutes.

**Ensure that the pool pump is running for a sufficient period to carry out these adjustments.**

## THE FIRST TWO WEEKS

The day following the installation of the Chemigem and after the pool pump has been running for 30 minutes, check the level of Chlorine and pH with a good quality test kit. If either of the levels is not exactly at the levels required, alter the settings a little. The unit will bring about the changes to the chemistry of the pool water as the pool pump circulates the water.

During the two weeks after a pool is first filled, the water chemistry will be settling down. It is likely that chemical levels will fluctuate during this time, so keep a check on the pool water with a good quality test kit or obtain confirmation by seeking help from a qualified pool maintenance technician.

It is not uncommon for new plaster/marblesheen pools to use more acid during their first month or two but do not let the pH and Total Alkalinity remain below recommended levels, or the lifetime of the pool surface may be shortened.

Depending upon how the unit has been programmed, the standard procedure is that the first time that the unit operates it will take approximately 120 minutes to fully adjust to the required levels of Chlorine and pH. Thereafter it will normally restore the required levels in approximately 30 minutes.

**Ensure that the pool pump is running for a sufficient period to carry out these adjustments.**

If the actual chemical levels being achieved by the unit are not closely matching the “**SET**” levels, make minor adjustments (either up or down as the circumstances warrant) to the “**SET**” levels and re-test after 24 hours.

Additions by the unit are made in minutes, but removing excess chemicals may be difficult and require weeks.

Do not go outside the ranges given on pages 17 and 19 and pay attention to any specific requirements given by the pool builder.

Always take samples at a point near the skimmer box, for this is where the water is completely mixed giving the most accurate readings, **never** near the pool returns (eyeballs) where the water may have been freshly dosed by the unit.

Always follow the specific requirements of the pool builder when setting the chemical levels for the pool.

## REGULAR CHECKS ON THE QUALITY OF POOL WATER

As a precautionary measure to ensure that the desired pool water chemical levels are being maintained and that the Chemigem is functioning correctly, regularly check the pool water quality with a good quality test kit.

If the pool is heavily used (such as in hot weather) it must be checked more frequently.

As a general guide it is recommended that the check should be made at least twice weekly in the swimming season and once each two weeks in the non-swimming period.

Seek guidance from your local authority or qualified pool maintenance technician.

## REGULAR CHECKS OF THE SOLENOID VALVE TUBING

Regularly check the solenoid valve tubing to ensure that it has not become brittle.

**If the solenoid valve tubing becomes brittle, it must be replaced immediately.**