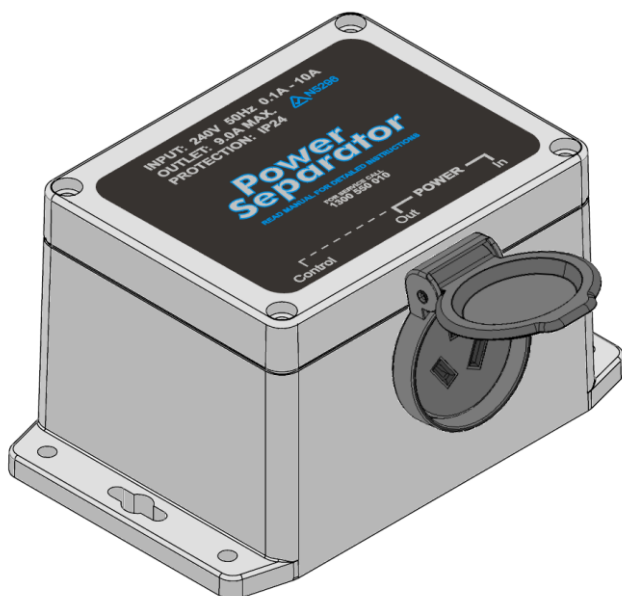


# Power Separator

## User Manual



Made In Australia by

**pool**  
CONTROLS

For further information or service, call 1300 550 010



# Contents

Manufacturers' Warranty	2
Introduction and Installation of the Power Separator	4
Mounting Template	5

## IMPORTANT

*If the power cord is damaged the unit must be returned to Pool Controls for repair.*

*This device is intended for fixed installation – see pages 4 & 5.*

**Note** that units for 240Vac Control Input have a 240Vac piggyback plug/cable installed for this purpose. Units intended to be controlled by 12/24Vdc SELV have a small 2-way connector installed for the Control Input – see page 4. 12/24Vdc is indicated by the check-box at the Control Input on label.

*Always read the instructions and warnings on chemical containers before using chemicals.*

Date of Installation.....

Installed by.....



# Manufacturer's Warranty

**Pool Controls** products come with guarantees that cannot be excluded under the Australian Consumer Law. You are entitled to a replacement or refund for a major failure and for compensation for any other loss or damage. You are also entitled to have the goods repaired or replaced if the goods fail to be of acceptable quality and the failure does not amount to a major failure. The benefits under this warranty are in addition to other rights and remedies under a law in relation to the goods.

**Pool Controls** warrants the following products to be free from defects in material and/or workmanship for a period of 2 years from the original date of purchase or installation:

**CHEMIGEM** - ALL COMPONENTS OF THE CHEMIGEM CONTROL UNIT APART FROM:

- Multi-electrode (Probe)

**SALTIGEM** – ALL COMPONENTS OF THE SALTIGEM CONTROL UNIT APART FROM:

- Electrode (Cell)

**POWER SEPARATOR** – ALL COMPONENTS OF THE POWER SEPARATOR UNIT.

**Pool Controls** warrants the following components to be free from defects in material and/or workmanship for a period of 1 year, followed by 48 months pro-rata warranty:

- Chemigem Multi-electrode (Probe)
- Saltigem Electrode (Cell)

## WARRANTY OBLIGATIONS OF POOL CONTROLS

If a defect in workmanship or materials in any **Pool Controls** product covered by this warranty is discovered during the term of the warranty, and provided the warranty holder follows the procedure set out below, **Pool Controls** will, at its option, repair or replace that item.

## PROCEDURE FOR CLAIMING UNDER THIS WARRANTY

In order to claim under this warranty, the warranty holder must:

- Contact **Pool Controls Service** as soon as possible after the discovery of the defect and in any event, within the relevant warranty period;
- Provide proof of purchase and confirm date of installation;
- Confirm that the installation was completed by a suitably qualified technician, as set out in the installation manual; and
- If required, arrange for the relevant **Pool Controls'** product to be returned to **Pool Controls** for repair, and the warranty holder is responsible for the cost and risk of any freight or transportation to and from **Pool Controls**.

## CALL OUT FEES

- If the [Pool Controls](#) product needs to be serviced, replaced or repaired at a place other than [Pool Controls'](#) premises, a call out fee will be charged to cover the cost of travel by an authorised [Pool Controls](#) technician. Please note that this call out fee will NOT be charged when the relevant [Pool Controls](#) product is returned to [Pool Controls](#) for repair.
- If an authorised [Pool Controls](#) technician repairs or replaces a [Pool Controls](#) Product and this warranty does NOT apply, a fee for labour and parts supplied will be charged in addition to the call out fee.
- If the [Pool Controls](#) product needs to be returned for repairs under this warranty, the warranty holder is responsible for the cost and risk of any freight or transportation to and from [Pool Controls](#).

## WARRANTY EXCLUSIONS

- This warranty extends to the original owner only, beginning on the date of installation and is not enforceable by any other party without the prior written consent of [Pool Controls](#).
- [Pool Controls](#) is not responsible for any cost of freight or transportation to or from its Service Department.
- [Pool Controls](#) is not liable under this warranty if the installation of the [Pool Controls](#) product was not carried out by a suitably qualified technician.
- To the extent permitted by law, [Pool Controls](#) is not liable for any incidental or consequential loss incurred in connection with the removal or replacement of the [Pool Controls](#) product under this warranty.
- To the extent permitted by law, [Pool Controls](#) disclaims all other warranties, either express or implied, including, but not limited to, implied warranties of merchantability and fitness for a particular purpose with regard to [Pool Controls](#) products, parts and/or any accompanying written materials.

## REGISTER YOUR WARRANTY NOW

Go to [www.poolcontrols.com.au](http://www.poolcontrols.com.au), click on the warranty registration tab and fill in your details.

## CONTACT POOL CONTROLS

[Pool Controls](#) is based at 20 Abrams Street, Balcatta, Western Australia. We also have service technicians based in NSW, Queensland and Victoria.

- Service Email: [service@poolcontrols.com.au](mailto:service@poolcontrols.com.au)
- Service Phone: 1300 550 010

## Introduction and Installation of the Power Separator

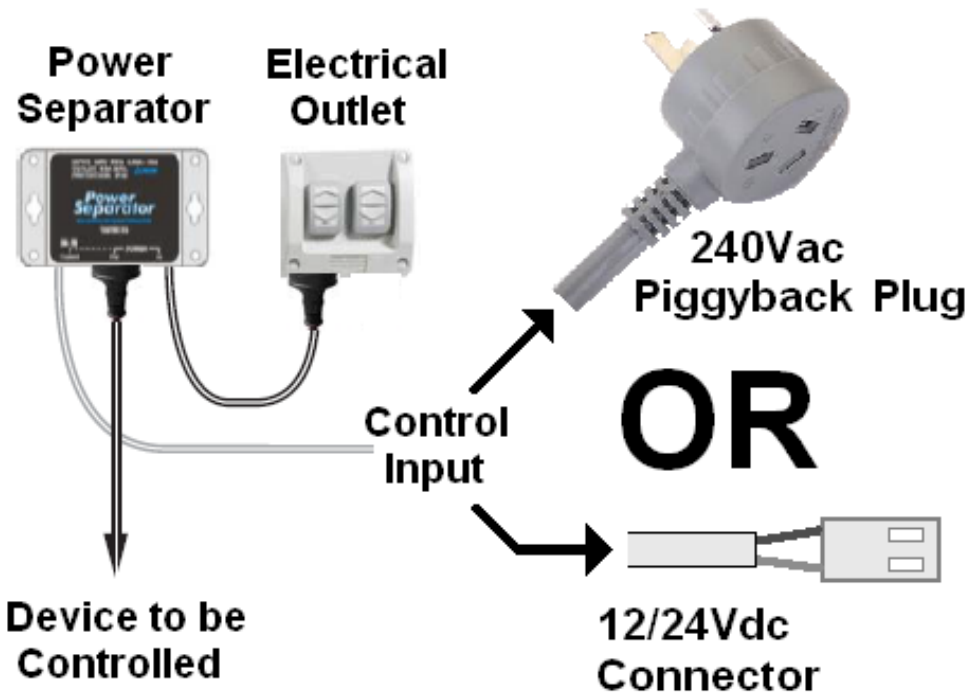
A Power Separator is used where a control device does not have the electrical current capacity to handle extra equipment. Examples of this are a salt chlorinator operating a filter pump and also needing to control a cleaner pump or solar heater pump.

The Power Separator power plug is plugged into power outlet. The power from this outlet is switched to the Power Separator outlet dependent on the control input.

The Power Separator comes in two versions – one with a 240Vac piggy back plug for control input and another with a small lead for 12/24Vdc control.

**240Vac Piggyback Plug:** this is usually plugged into the Pump Outlet of a salt water chlorinator or other control device. The main pump is then plugged into the piggyback plug. Whenever power is applied to the main pump the Power Separator will turn on its power outlet after a small delay of approximately 5 seconds.

**12/24Vdc Connector:** this is usually plugged into a specific outlet on another Pool Controls device, for example an auxiliary outlet for controlling an in-floor cleaner pump.



# Mounting Template

This unit must be mounted on a vertical surface as shown in diagram page 4.  
Use two screws on 130mm centres



